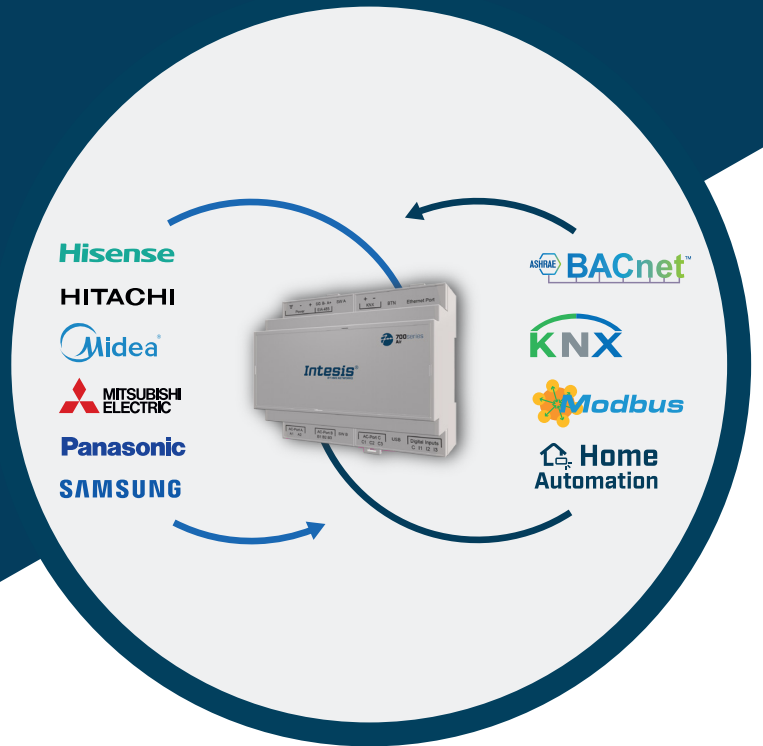


Application Wiring Diagrams for IN770AIR



Choose your AC brand

Hisense

 **MITSUBISHI
ELECTRIC**

HITACHI

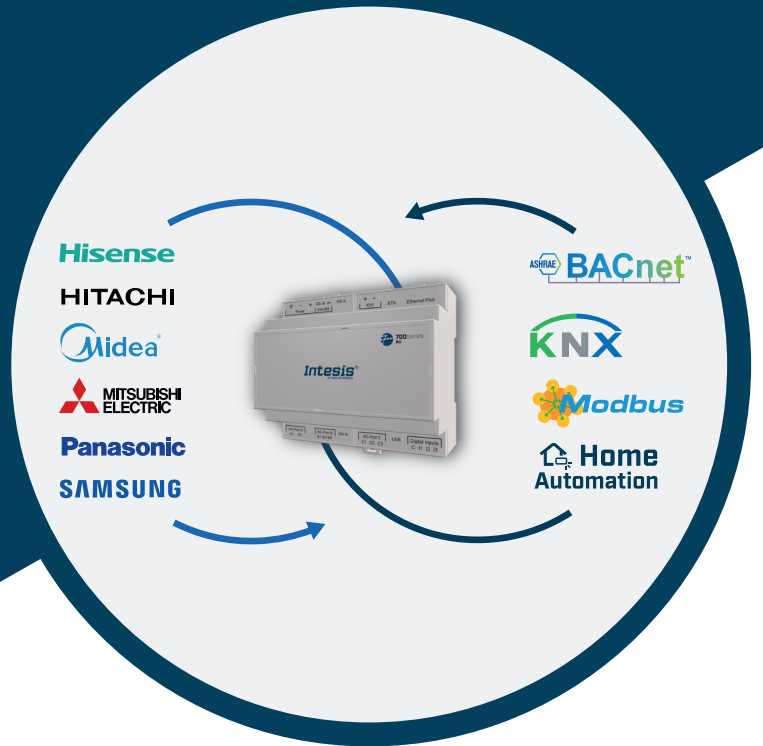
Panasonic

 **Midea®**

SAMSUNG

Intesis multi-brand AC interface with KNX,
Serial and IP support

Application Wiring Diagrams for IN770AIR



Choose your application

Hisense

ASHRAE BACnet™

IN-BAC-HS
Hisense
to BACnet

Hisense

Modbus

IN-MBS-HS
Hisense
to Modbus Server

Hisense

KNX

IN-KNX-HS
Hisense
to KNX

Hisense

Home Automation

IN-WMP-HS
Hisense
to Home Automation



Intesis multi-brand AC interface with KNX,
Serial and IP support

IN-BAC-HS

Hisense to BACnet

Hisense

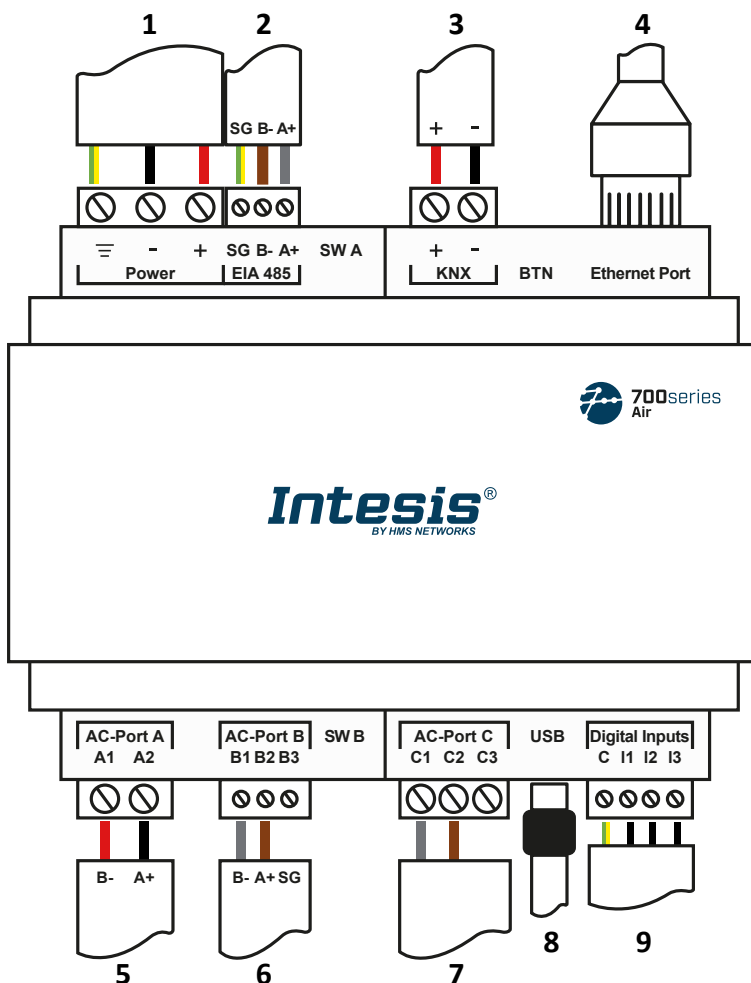


ASHRAE BACnet™

[BMS]



Wiring Diagram



- | | |
|------------------------------------|--|
| 1. Power Supply (12-36VDC / 24VAC) | 6. Not used |
| 2. BACnet MSTP | 7. Not used |
| 3. Not used | 8. Console |
| 4. BACnet IP & Console | 9. Binary inputs
(dry contact) optional |
| 5. Hisense (H-Link) | |

Application
web page

User
manual

Back

IN-KNX-HS

Hisense to KNX

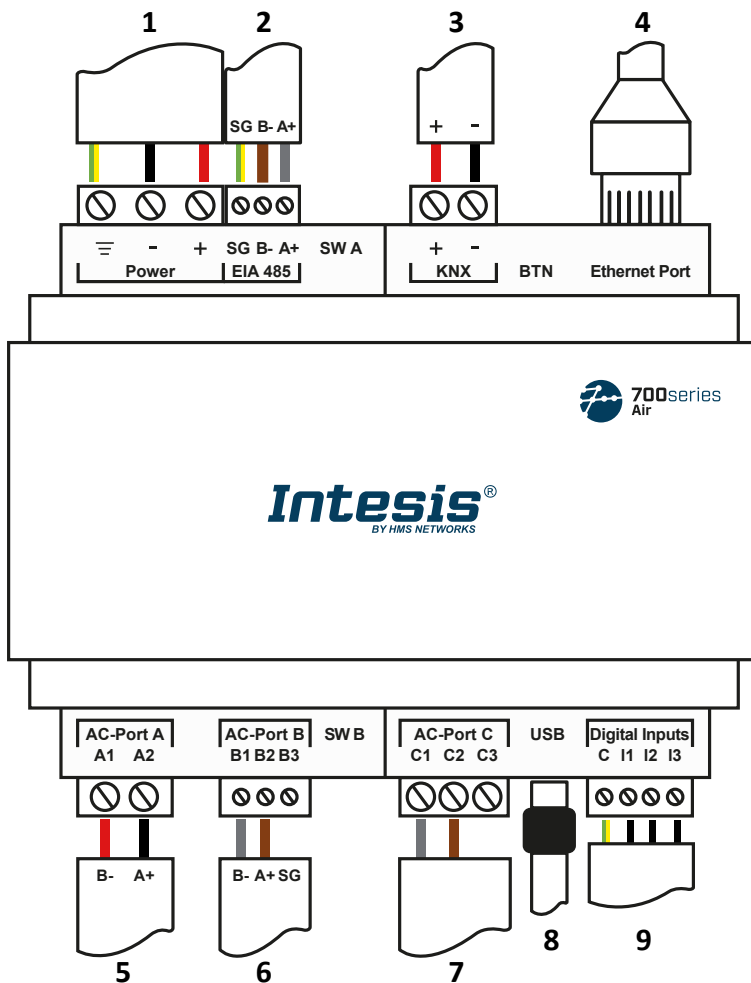
Hisense



KNX
[BMS]



Wiring Diagram



[Application web page](#)

[User manual](#)

[Back](#)

- | | |
|------------------------------------|---|
| 1. Power Supply (12-36VDC / 24VAC) | 6. Not used |
| 2. Not used | 7. Not used |
| 3. KNX | 8. Console |
| 4. Console | 9. Binary inputs (dry contact) optional |
| 5. Hisense (H-Link) | |

IN-MBS-HS

Hisense to Modbus Server

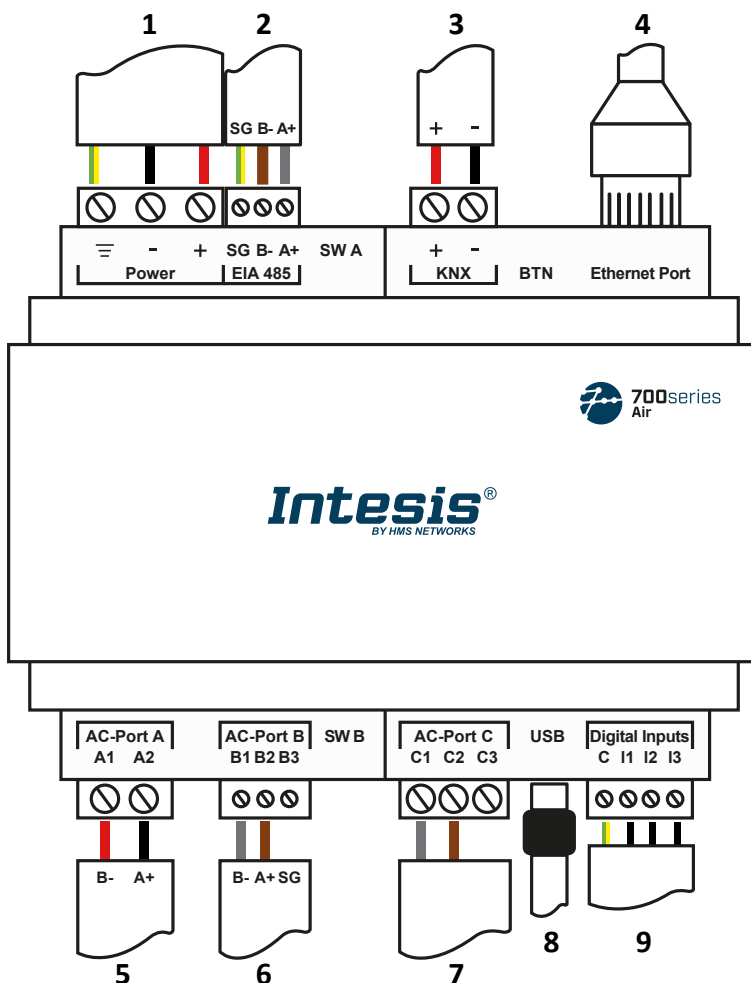
Hisense



[BMS]



Wiring Diagram



- | | |
|------------------------------------|---|
| 1. Power Supply (12-36VDC / 24VAC) | 6. Not used |
| 2. Modbus RTU | 7. Not used |
| 3. Not used | 8. Console |
| 4. Modbus TCP & Console | 9. Binary inputs (dry contact) optional |
| 5. Hisense (H-Link) | |

[Application web page](#)


[User manual](#)

[Back](#)

IN-WMP-HS

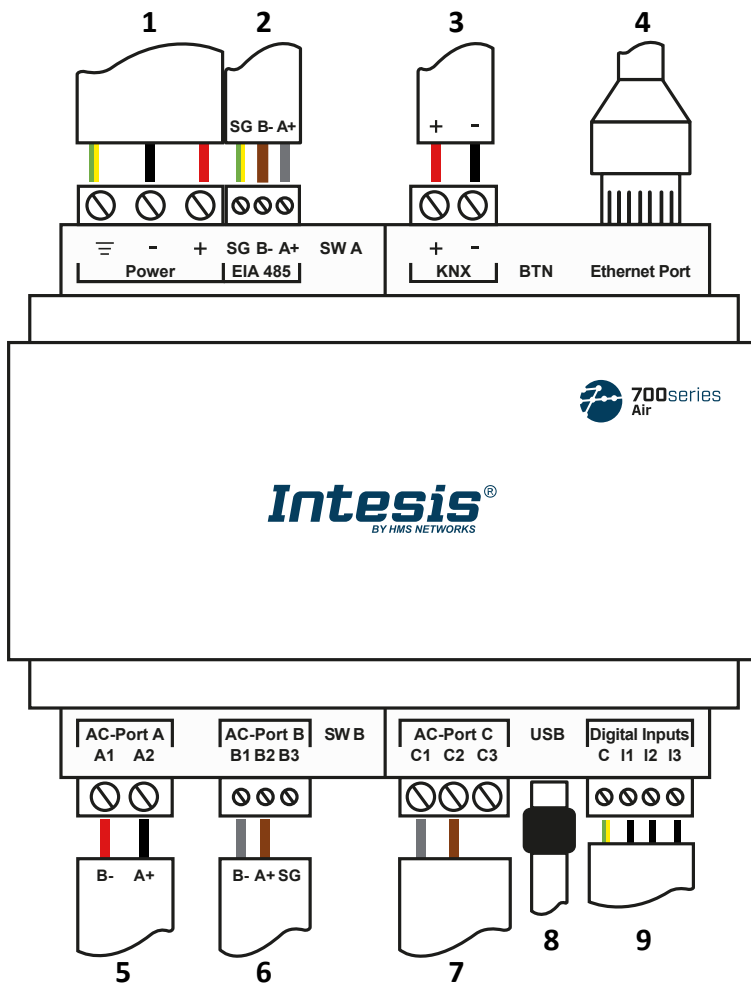
Hisense to Home Automation

Hisense

 **Home Automation**
[BMS]



Wiring Diagram



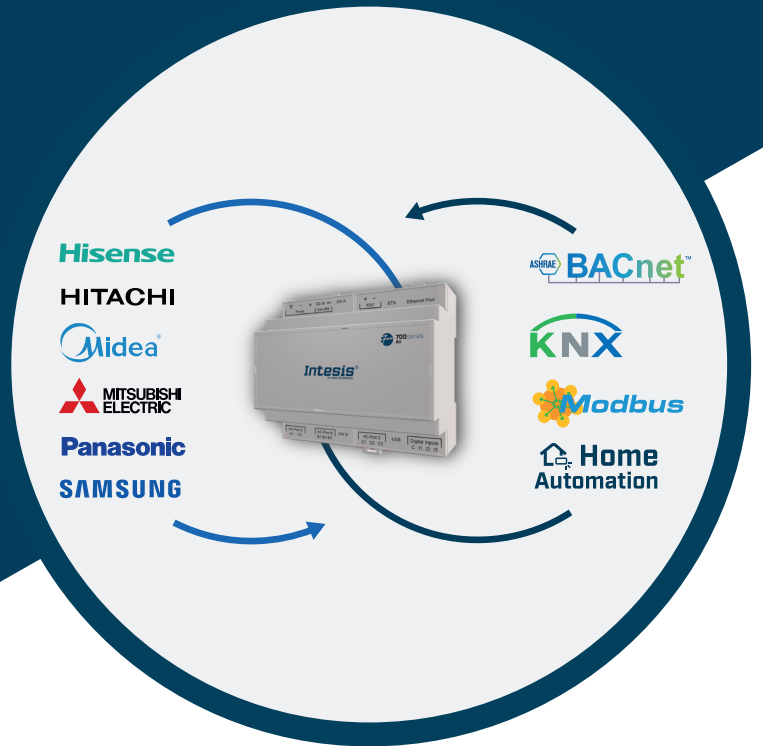
[Application web page](#)

[User manual](#)

[Back](#)

- 1. Power Supply (12-36VDC / 24VAC)
- 2. Not used
- 3. Not used
- 4. Home Automation & Console
- 5. Hisense (H-Link)
- 6. Not used
- 7. Not used
- 8. Console
- 9. Binary inputs (dry contact) optional

Application Wiring Diagrams for IN770AIR



Choose your application

HITACHI

ASHRAE **BACnet™**

IN-BAC-HT
Hitachi
to BACnet

HITACHI

Modbus

IN-MBS-HT
Hitachi
to Modbus Server

HITACHI

KNX

IN-KNX-HT
Hitachi
to KNX

HITACHI

Home Automation

IN-WMP-HT
Hitachi
to Home Automation



Intesis multi-brand AC interface with KNX,
Serial and IP support

IN-BAC-HT

Hitachi to BACnet

HITACHI

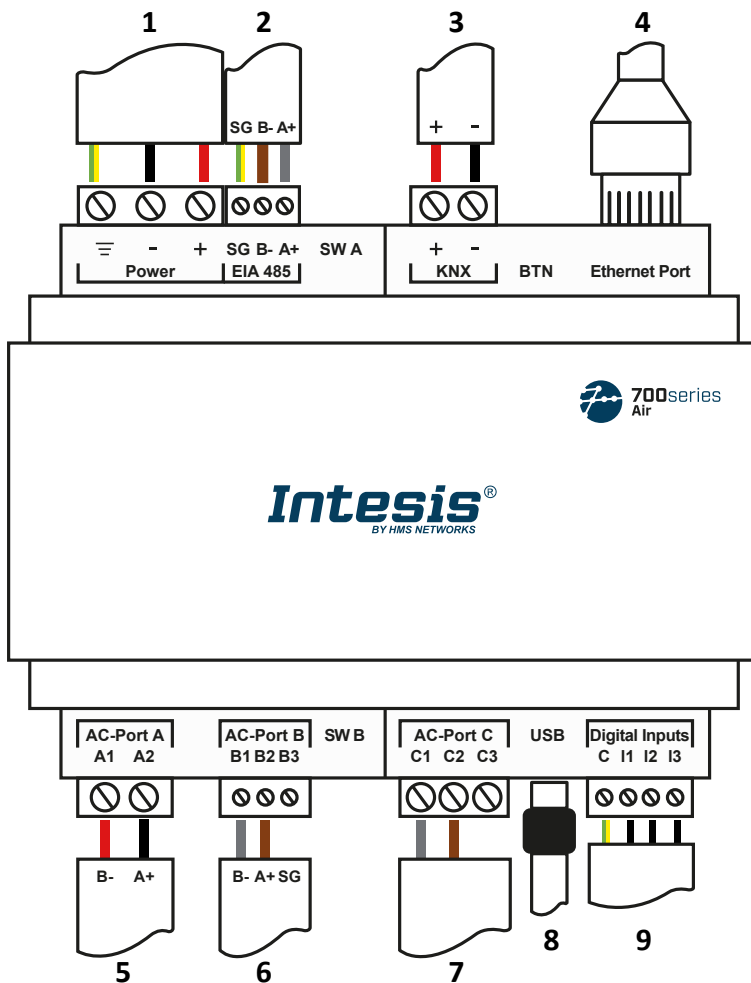


 **ASHRAE BACnet™**

[BMS]



Wiring Diagram



[Application web page](#)

[User manual](#)

[Back](#)

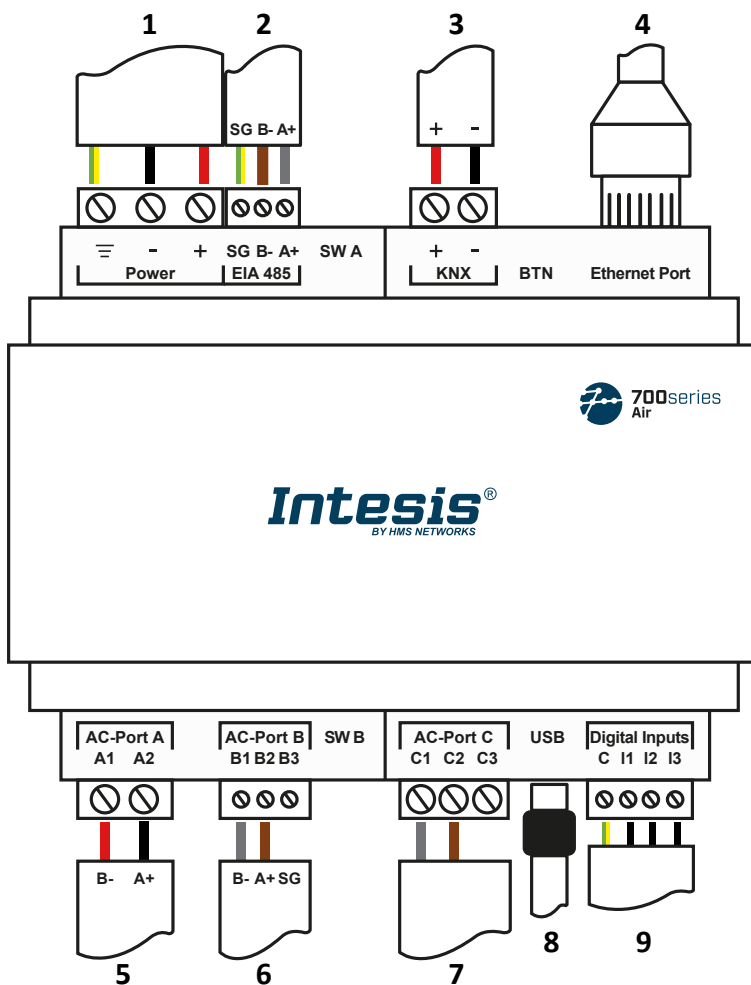
- | | |
|------------------------------------|---|
| 1. Power Supply (12-36VDC / 24VAC) | 6. Not used |
| 2. BACnet MSTP | 7. Not used |
| 3. Not used | 8. Console |
| 4. BACnet IP & Console | 9. Binary inputs (dry contact) optional |
| 5. Hitachi (H-Link) | |

Hitachi to KNX

HITACHI



Wiring Diagram



[Application web page](#)

[User manual](#)

[Back](#)

- | | |
|------------------------------------|---|
| 1. Power Supply (12-36VDC / 24VAC) | 6. Not used |
| 2. Not used | 7. Not used |
| 3. KNX | 8. Console |
| 4. Console | 9. Binary inputs (dry contact) optional |
| 5. Hitachi (H-Link) | |

Hitachi to Modbus Server

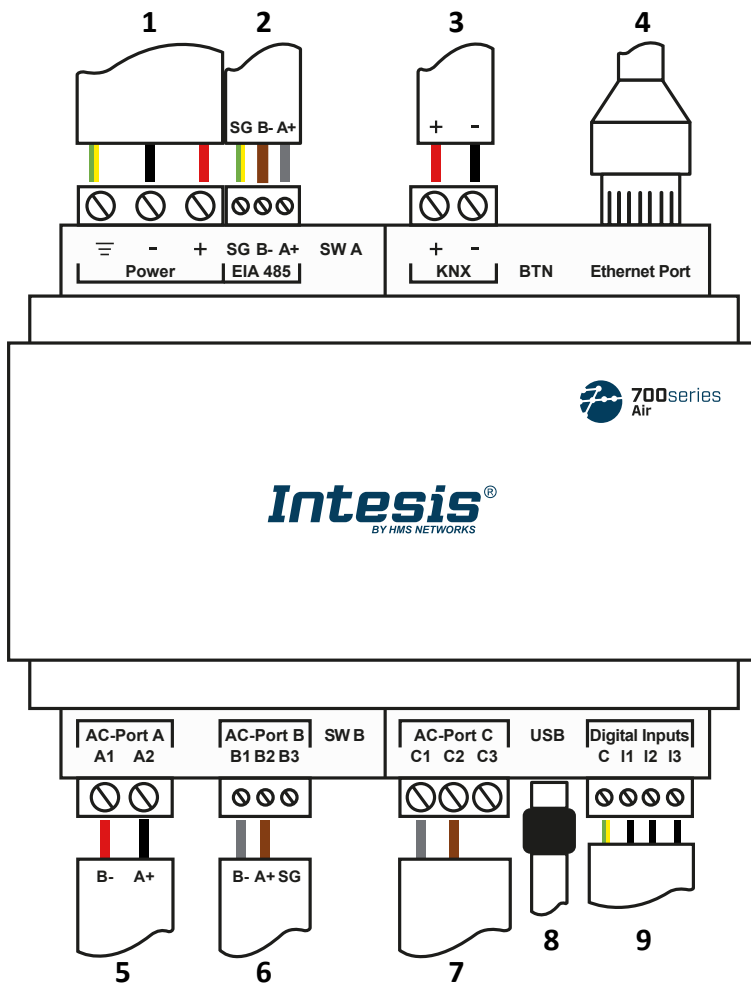
HITACHI



[BMS]



Wiring Diagram



[Application web page](#)


[User manual](#)

[Back](#)

- | | |
|------------------------------------|---|
| 1. Power Supply (12-36VDC / 24VAC) | 6. Not used |
| 2. Modbus RTU | 7. Not used |
| 3. Not used | 8. Console |
| 4. Modbus TCP & Console | 9. Binary inputs (dry contact) optional |
| 5. Hitachi (H-Link) | |

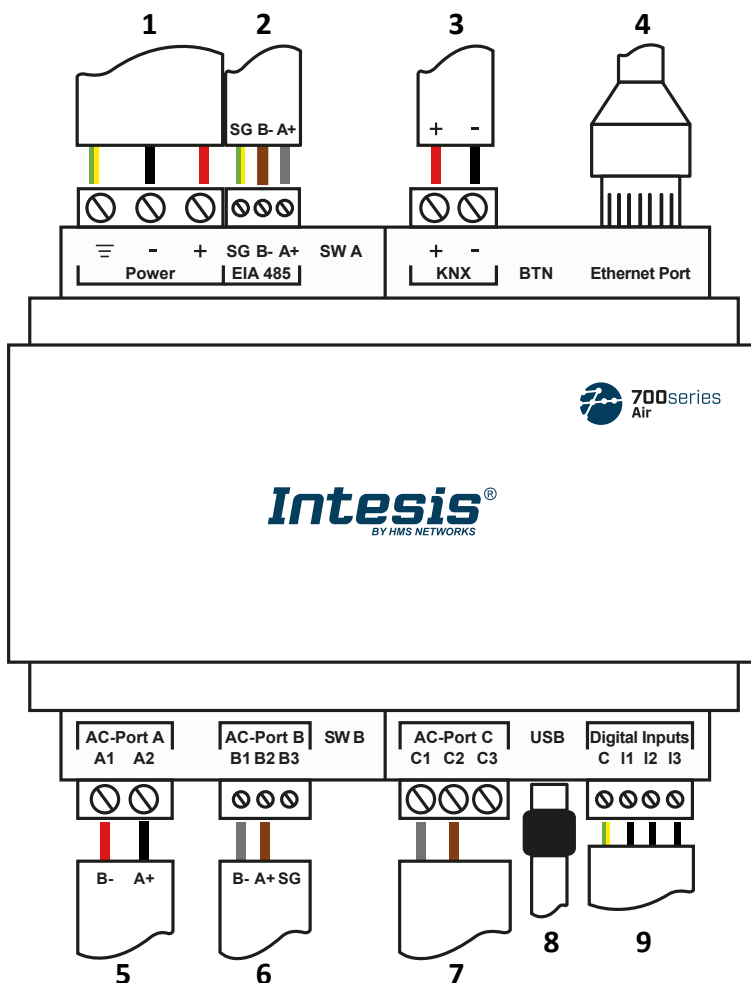
Hitachi to Home Automation

HITACHI

 **Home Automation**
[BMS]



Wiring Diagram



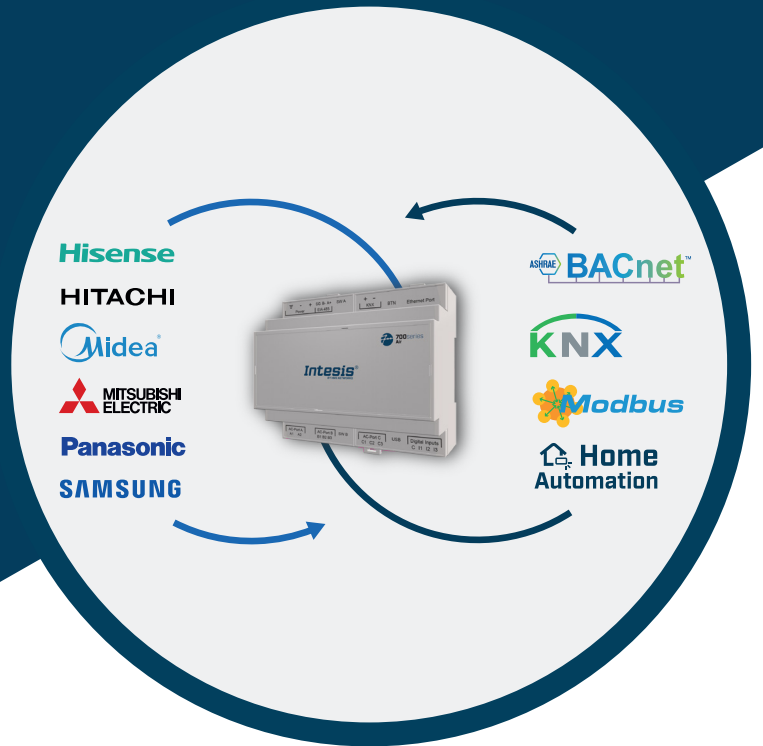
- | | |
|------------------------------------|---|
| 1. Power Supply (12-36VDC / 24VAC) | 6. Not used |
| 2. Not used | 7. Not used |
| 3. Not used | 8. Console |
| 4. Home Automation & Console | 9. Binary inputs (dry contact) optional |
| 5. Hitachi (H-Link) | |

[Application web page](#)

[User manual](#)

[Back](#)

Application Wiring Diagrams for IN770AIR






Choose your application





IN-BAC-MD
Midea
to BACnet








IN-MBS-MD
Midea
to Modbus Server





IN-KNX-MD
Midea
to KNX

IN-WMP-MD
Midea
to Home Automation



Intesis multi-brand AC interface with KNX,
Serial and IP support

IN-BAC-MD

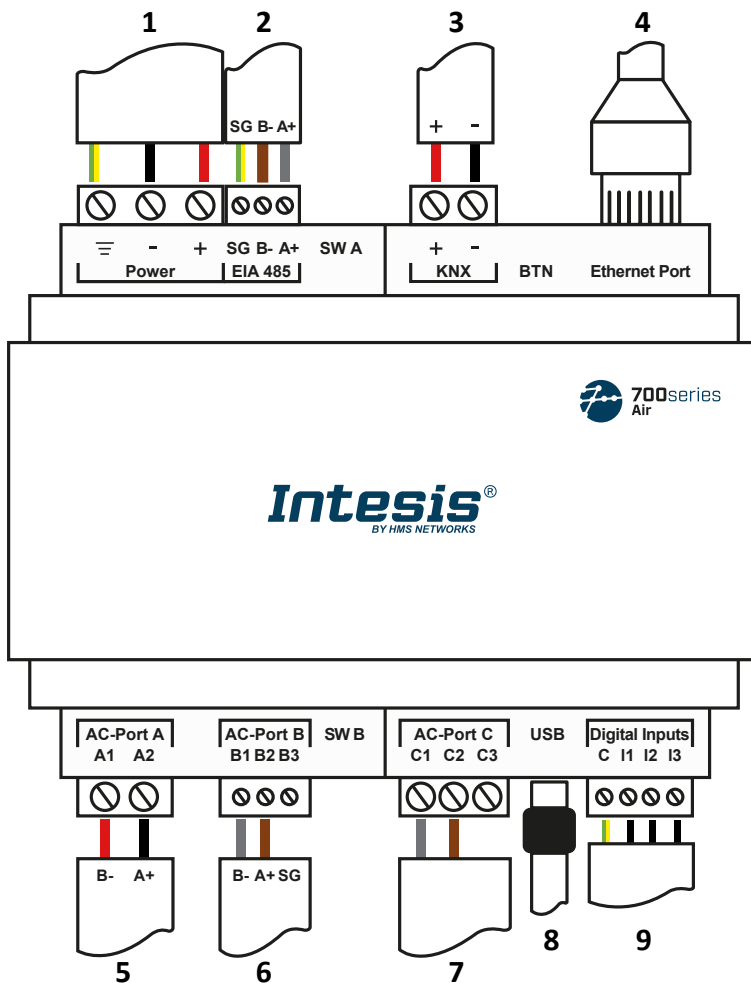
Midea to BACnet



[BMS]



Wiring Diagram



[Application web page](#)

[User manual](#)

[Back](#)

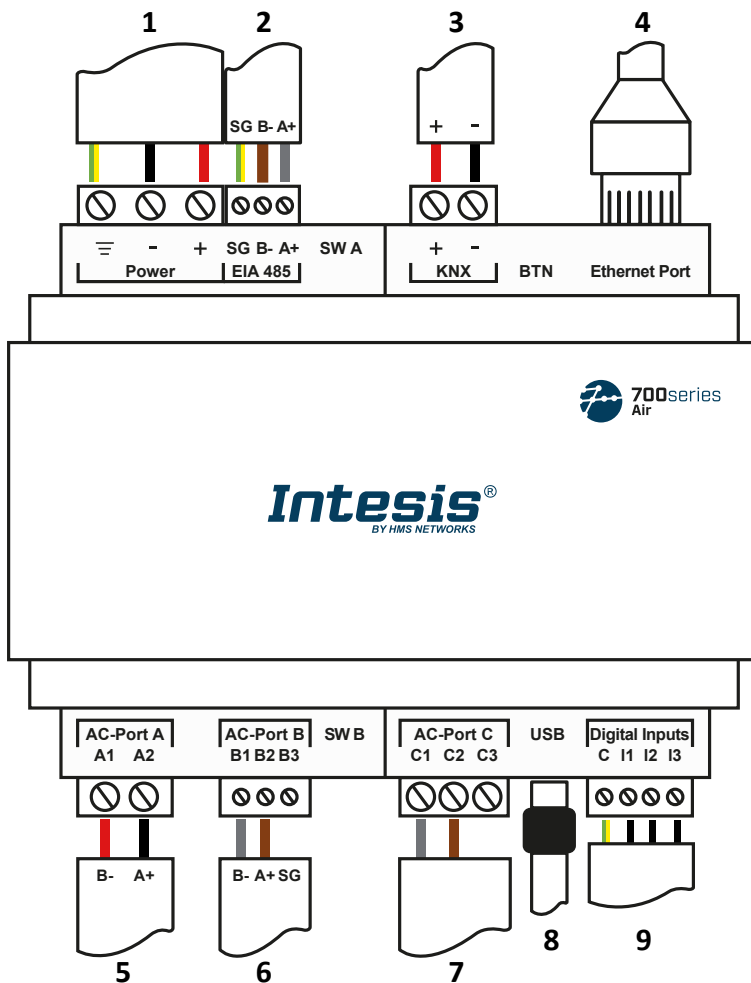
- | | |
|------------------------------------|--|
| 1. Power Supply (12-36VDC / 24VAC) | 6. Midea VRF (XY) |
| 2. BACnet MSTP | 7. Not used |
| 3. Not used | 8. Console |
| 4. BACnet IP & Console | 9. Binary inputs
(dry contact) optional |
| 5. Not used | |

IN-KNX-MD

Midea to KNX



Wiring Diagram



[Application web page](#)

[User manual](#)

[Back](#)

- 1. Power Supply (12-36VDC / 24VAC)
- 2. Not used
- 3. KNX
- 4. Console
- 5. Not used
- 6. Midea VRF (XY)
- 7. Not used
- 8. Console
- 9. Binary inputs (dry contact) optional

IN-MBS-MD

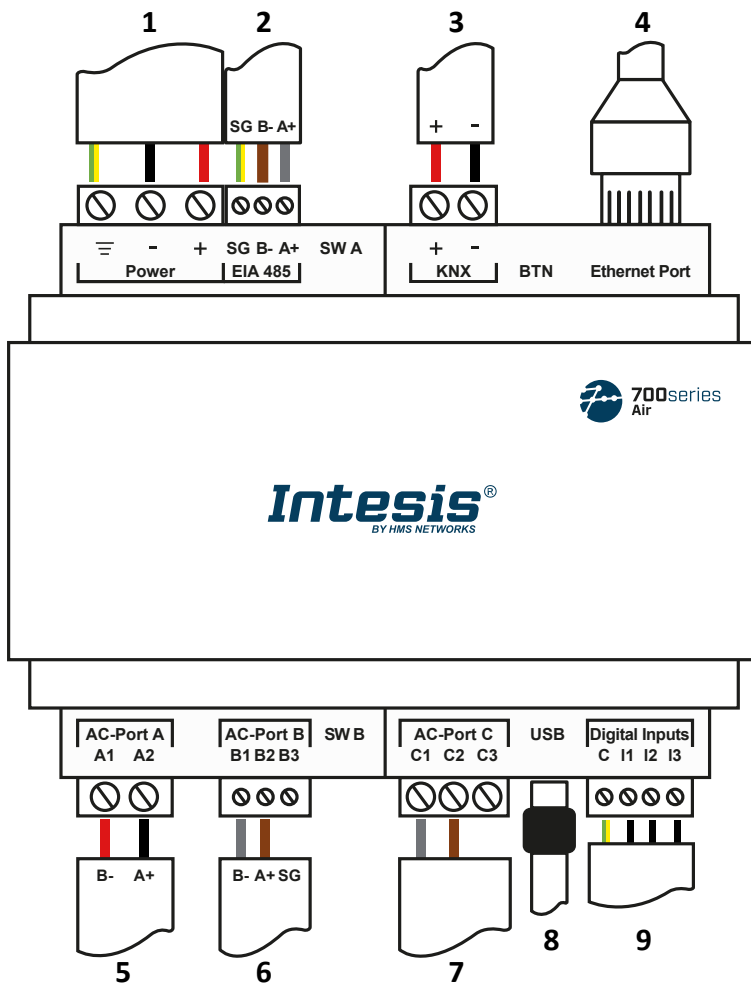
Midea to Modbus Server



[BMS]



Wiring Diagram



[Application web page](#)

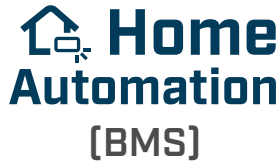
[User manual](#)

[Back](#)

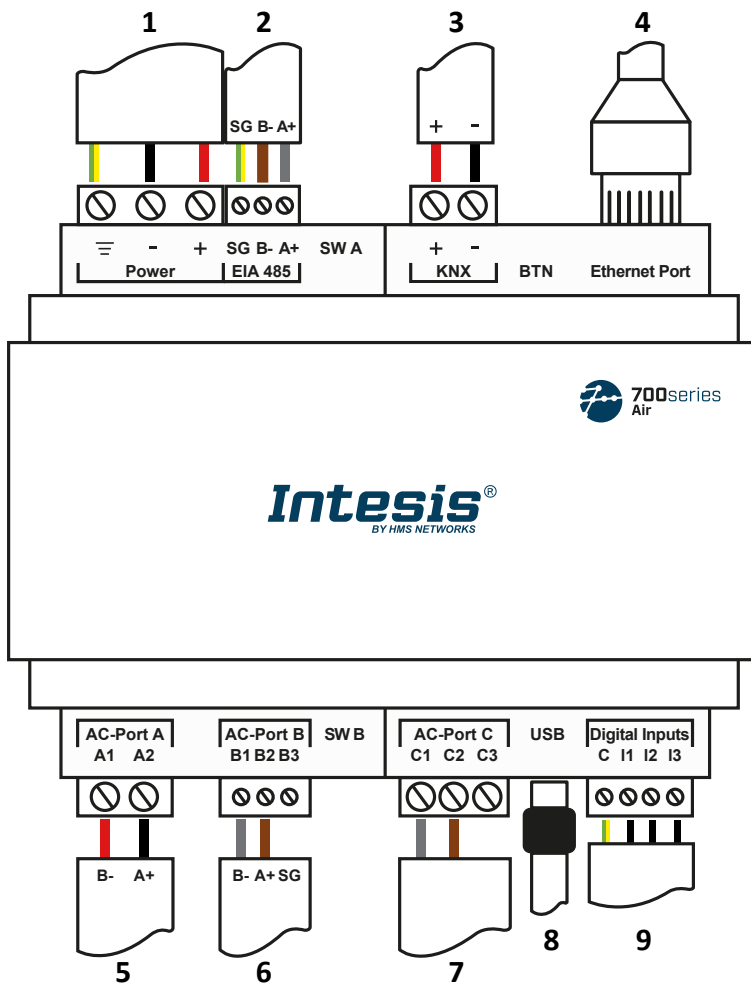
- | | |
|------------------------------------|---|
| 1. Power Supply (12-36VDC / 24VAC) | 6. Midea VRF (XY) |
| 2. Modbus RTU | 7. Not used |
| 3. Not used | 8. Console |
| 4. Modbus TCP & Console | 9. Binary inputs (dry contact) optional |
| 5. Not used | |

IN-WMP-MD

Midea to Home Automation



Wiring Diagram



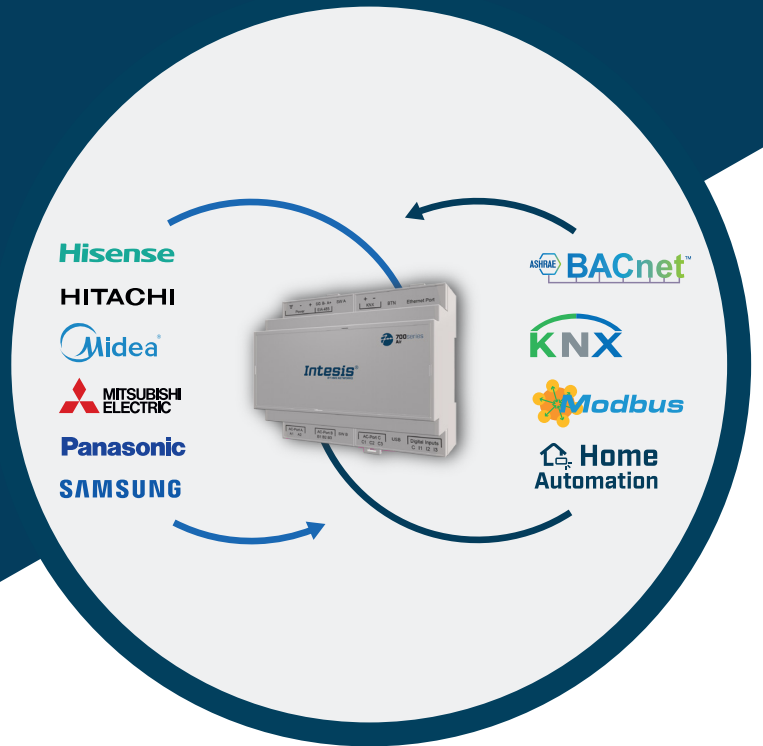
- 1. Power Supply (12-36VDC / 24VAC)
- 2. Not used
- 3. Not used
- 4. Home Automation & Console
- 5. Not used
- 6. Midea VRF (XY)
- 7. Not used
- 8. Console
- 9. Binary inputs (dry contact) optional

[Application web page](#)

[User manual](#)

[Back](#)

Application Wiring Diagrams for IN770AIR






Choose your application











IN-BAC-ME
Mitsubishi Electric
to BACnet

IN-MBS-ME
Mitsubishi Electric
to Modbus Server

IN-KNX-ME
Mitsubishi Electric
to KNX

IN-WMP-ME
Mitsubishi Electric
to Home Automation



Intesis multi-brand AC interface with KNX,
Serial and IP support

IN-BAC-ME



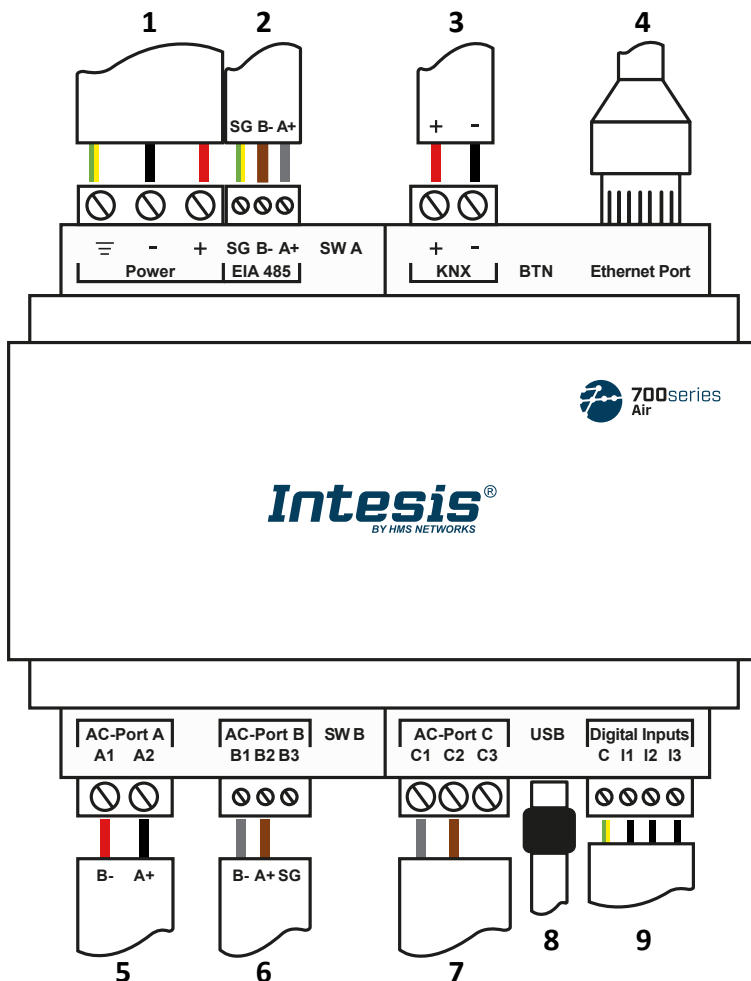
Mitsubishi Electric to BACnet



[BMS]



Wiring Diagram



- | | |
|---|--|
| 1. Power Supply (12-36VDC / 24VAC) | 5. Not used |
| 2. BACnet MSTP | 6. Not used |
| 3. Not used | 7. Not used |
| 4. BACnet IP & Console
Mitsubishi Electric
(Centralized Controller) | 8. Console |
| | 9. Binary inputs
(dry contact) optional |

[Application web page](#)

[User manual](#)

[Back](#)

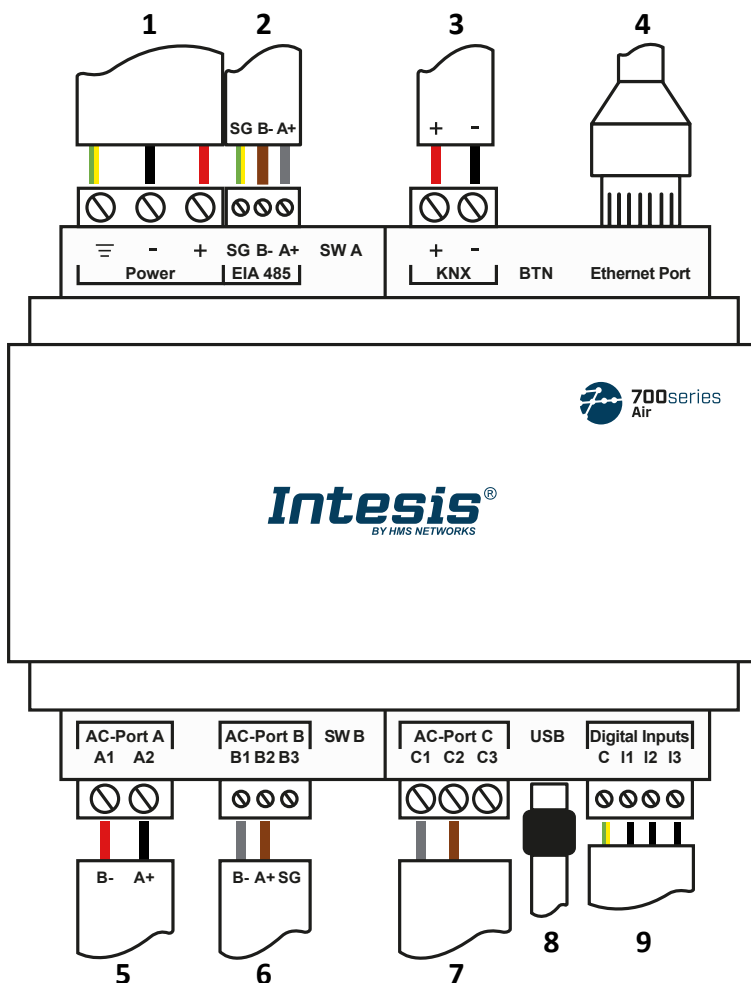


IN-KNX-ME

Mitsubishi Electric to KNX



Wiring Diagram



- 1. Power Supply (12-36VDC / 24VAC)
- 2. Not used
- 3. KNX
- 4. Console
Mitsubishi Electric
(Centralized Controller)
- 5. Not used
- 6. Not used
- 7. Not used
- 8. Console
(dry contact) optional
- 9. Binary inputs
(dry contact) optional

[Application web page](#)

[User manual](#)

[Back](#)

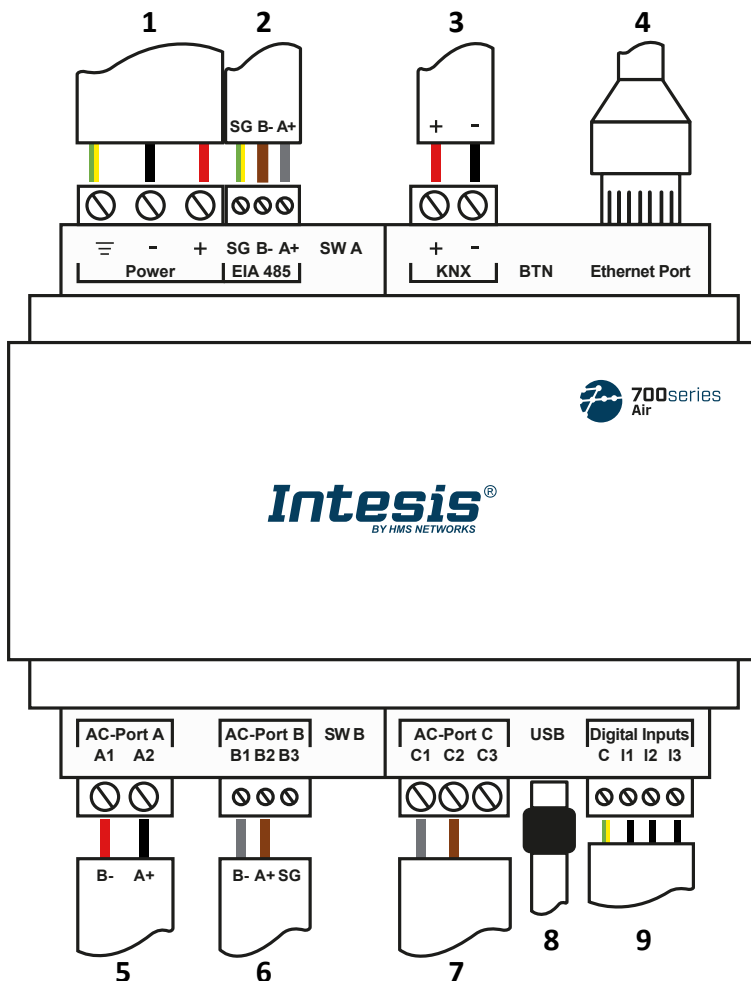
Mitsubishi Electric to Modbus Server



[BMS]



Wiring Diagram



- | | |
|--|--|
| 1. Power Supply (12-36VDC / 24VAC) | 5. Not used |
| 2. Modbus RTU | 6. Not used |
| 3. Not used | 7. Not used |
| 4. Modbus TCP & Console
Mitsubishi Electric
(Centralized Controller) | 8. Console |
| | 9. Binary inputs
(dry contact) optional |

[Application web page](#)

[User manual](#)


[Back](#)

IN-WMP-ME



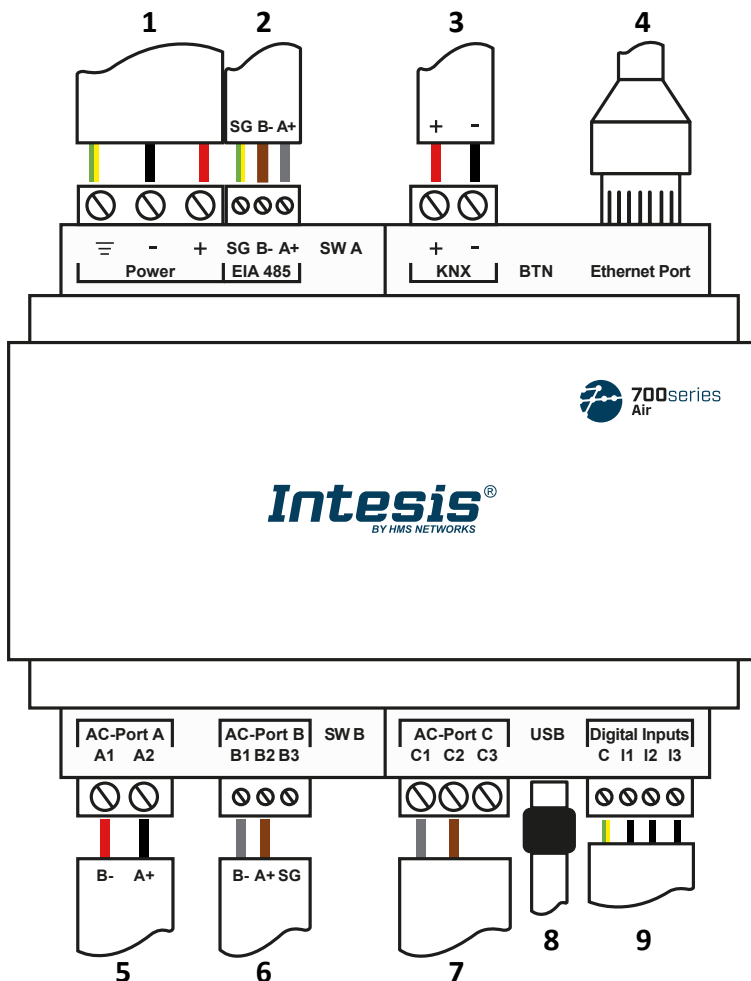
Mitsubishi Electric to Home Automation



 **Home Automation**
[BMS]



Wiring Diagram



- 1. Power Supply (12-36VDC / 24VAC)
- 2. Not used
- 3. Not used
- 4. Home Automation & Console Mitsubishi Electric (Centralized Controller)
- 5. Not used
- 6. Not used
- 7. Not used
- 8. Console
- 9. Binary inputs (dry contact) optional

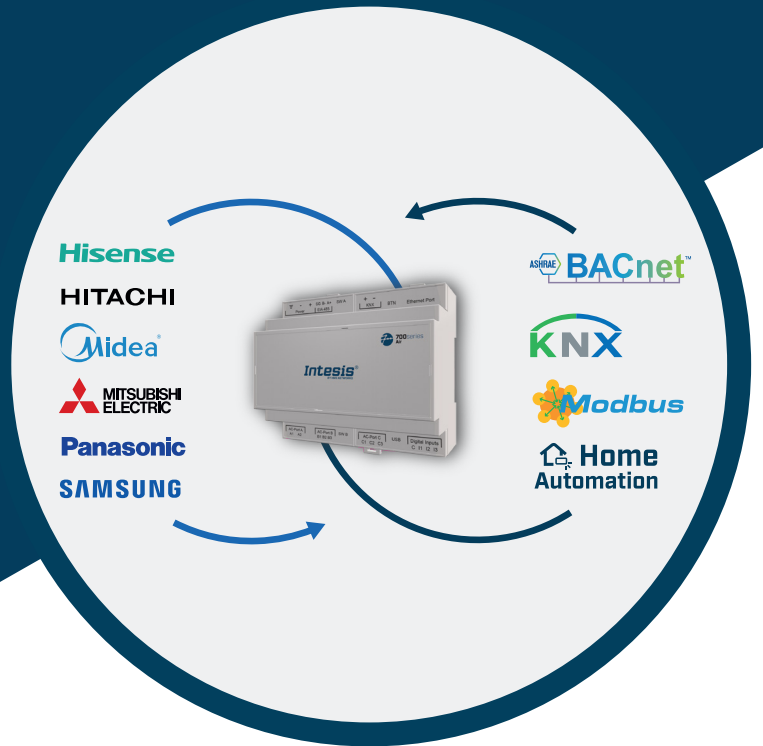
[Application web page](#)

[User manual](#)

[Back](#)





Application Wiring Diagrams for IN770AIR



Choose your application


Panasonic





IN-BAC-PA
Panasonic
to BACnet


Panasonic





IN-MBS-PA
Panasonic
to Modbus Server


Panasonic






IN-KNX-PA
Panasonic
to KNX

Panasonic





IN-WMP-PA
Panasonic
to Home Automation



Intesis multi-brand AC interface with KNX,
Serial and IP support

IN-BAC-PA

Panasonic to BACnet

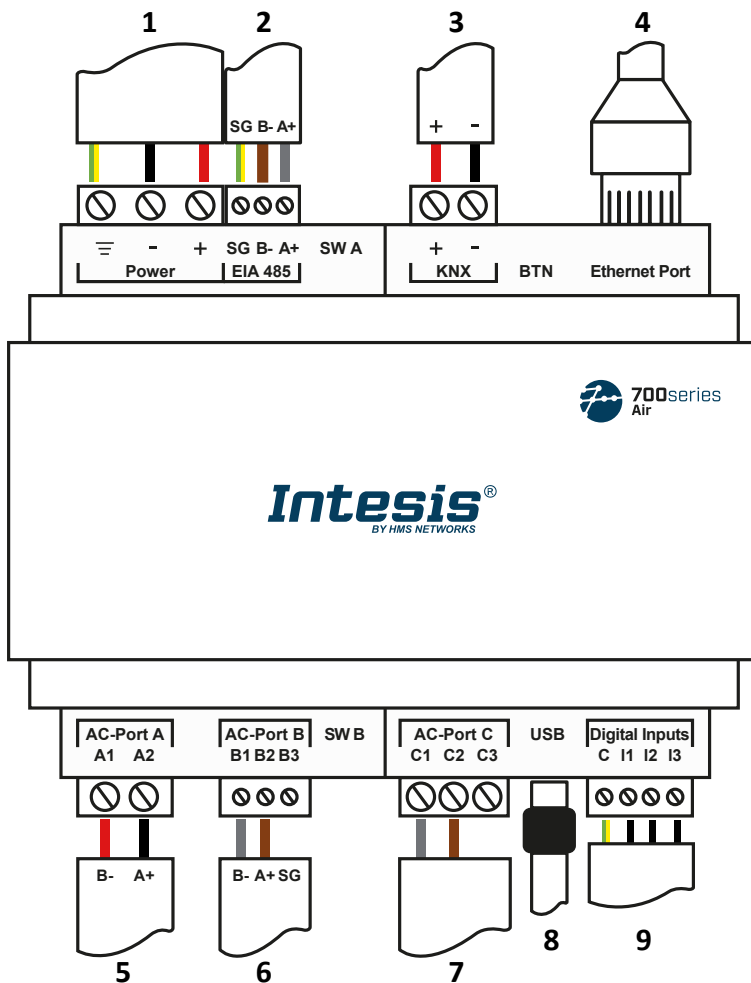
Panasonic




[BMS]



Wiring Diagram



- | | |
|------------------------------------|--|
| 1. Power Supply (12-36VDC / 24VAC) | 6. Not used |
| 2. BACnet MSTP | 7. Not used |
| 3. Not used | 8. Console |
| 4. BACnet IP & Console | 9. Binary inputs
(dry contact) optional |
| 5. Panasonic (P-Link) | |

[Application web page](#)

[User manual](#)

[Back](#)

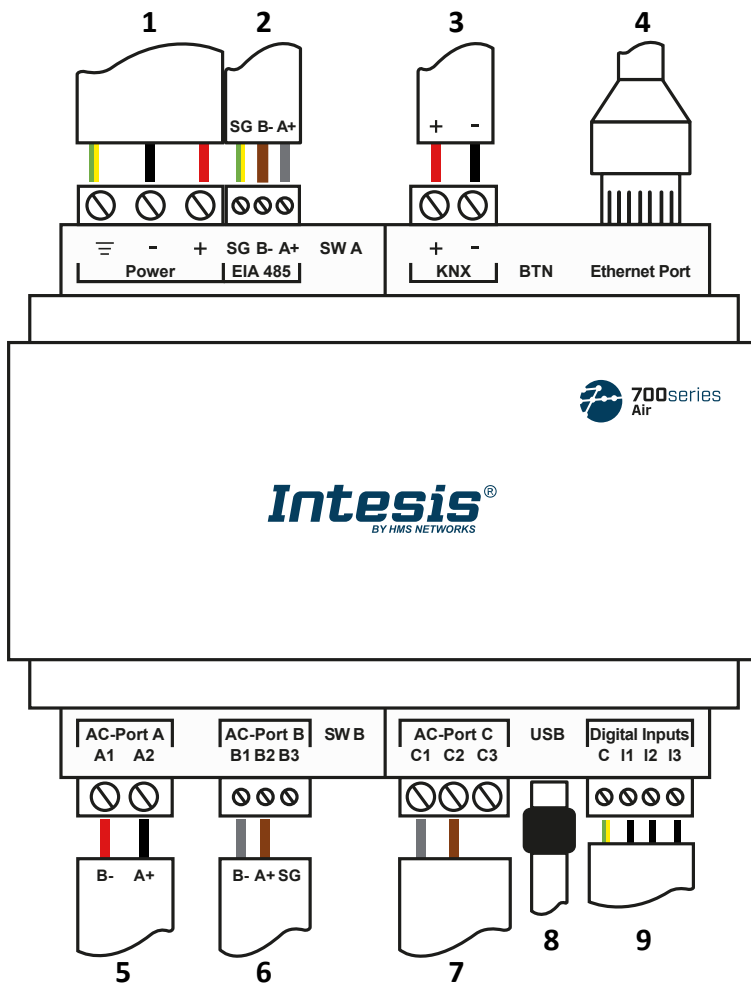
IN-KNX-PA

Panasonic to KNX

Panasonic



Wiring Diagram



- 1. Power Supply (12-36VDC / 24VAC)
- 2. Not used
- 3. KNX
- 4. Console
- 5. Panasonic (P-Link)
- 6. Not used
- 7. Not used
- 8. Console
- 9. Binary inputs (dry contact) optional

[Application web page](#)

[User manual](#)

[Back](#)

Panasonic to Modbus Server

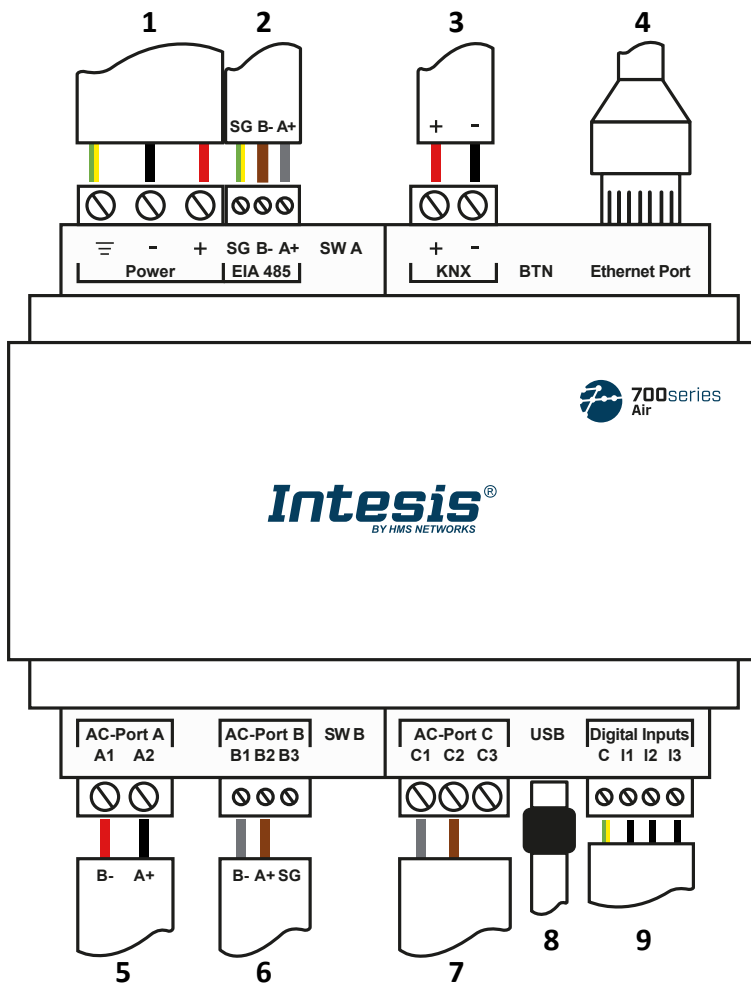
Panasonic



[BMS]



Wiring Diagram



- | | |
|------------------------------------|---|
| 1. Power Supply (12-36VDC / 24VAC) | 6. Not used |
| 2. Modbus RTU | 7. Not used |
| 3. Not used | 8. Console |
| 4. Modbus TCP & Console | 9. Binary inputs (dry contact) optional |
| 5. Panasonic (P-Link) | |

[Application web page](#)

[User manual](#)

[Back](#)

IN-WMP-PA



Panasonic to Home Automation

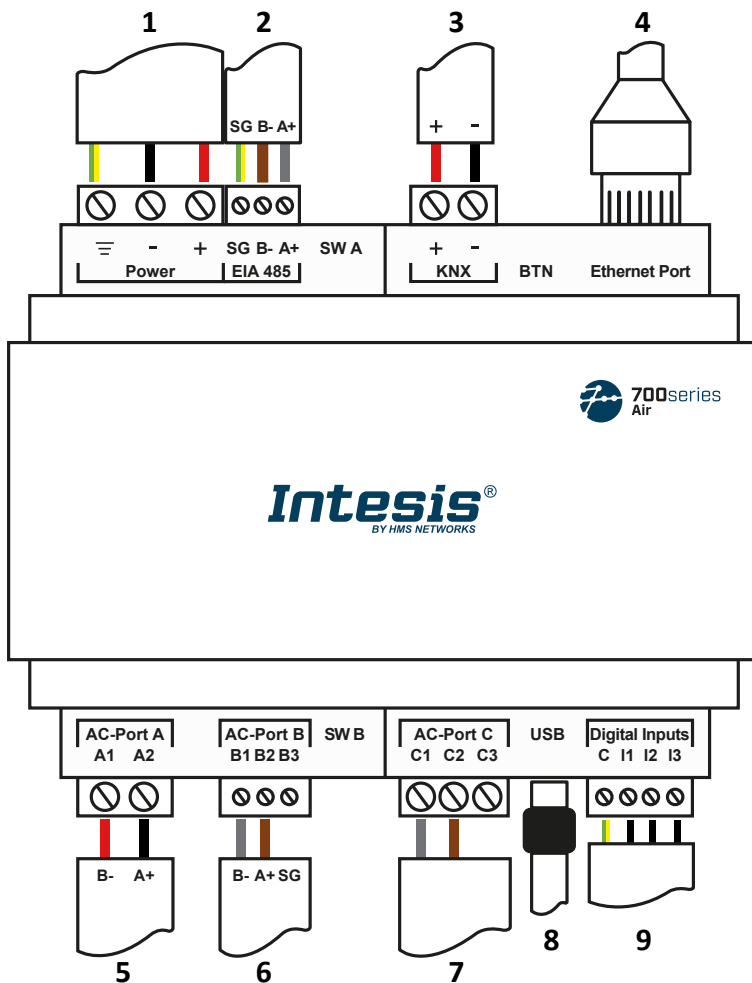
Panasonic



Home Automation [BMS]



Wiring Diagram



- 1. Power Supply (12-36VDC / 24VAC)
- 2. Not used
- 3. Not used
- 4. Home Automation & Console
- 5. Panasonic (P-Link)
- 6. Not used
- 7. Not used
- 8. Console
- 9. Binary inputs (dry contact) optional

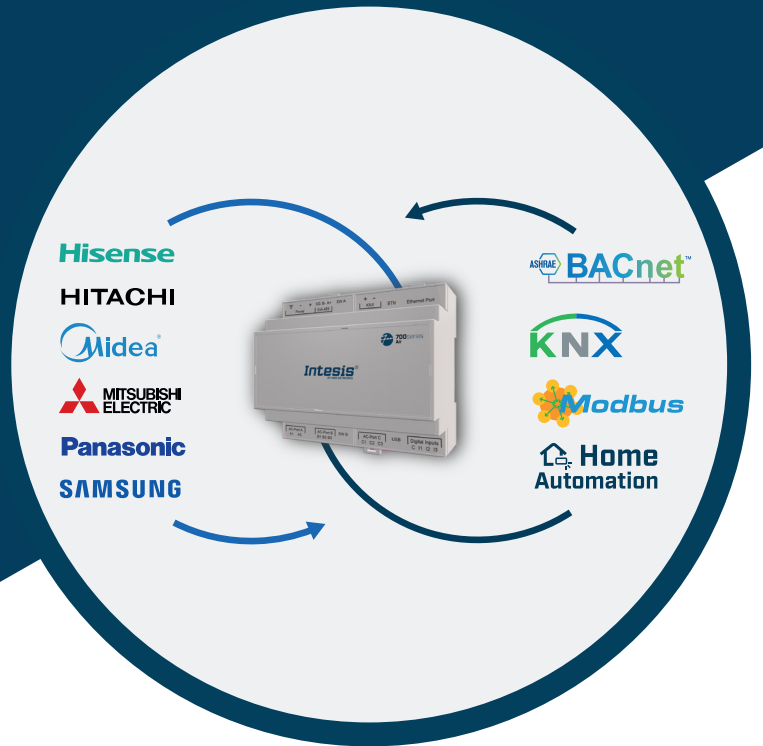
[Application web page](#)

[User manual](#)

[Back](#)



Application Wiring Diagrams for IN770AIR



Choose your application

SAMSUNG

ASHRAE **BACnet™**

IN-BAC-SA
Samsung
to BACnet

SAMSUNG

Modbus

IN-MBS-SA
Samsung
to Modbus Server

SAMSUNG

KNX

IN-KNX-SA
Samsung
to KNX

SAMSUNG

Home Automation

IN-WMP-SA
Samsung
to Home Automation



Intesis multi-brand AC interface with KNX,
Serial and IP support

IN-BAC-SA

Samsung to BACnet

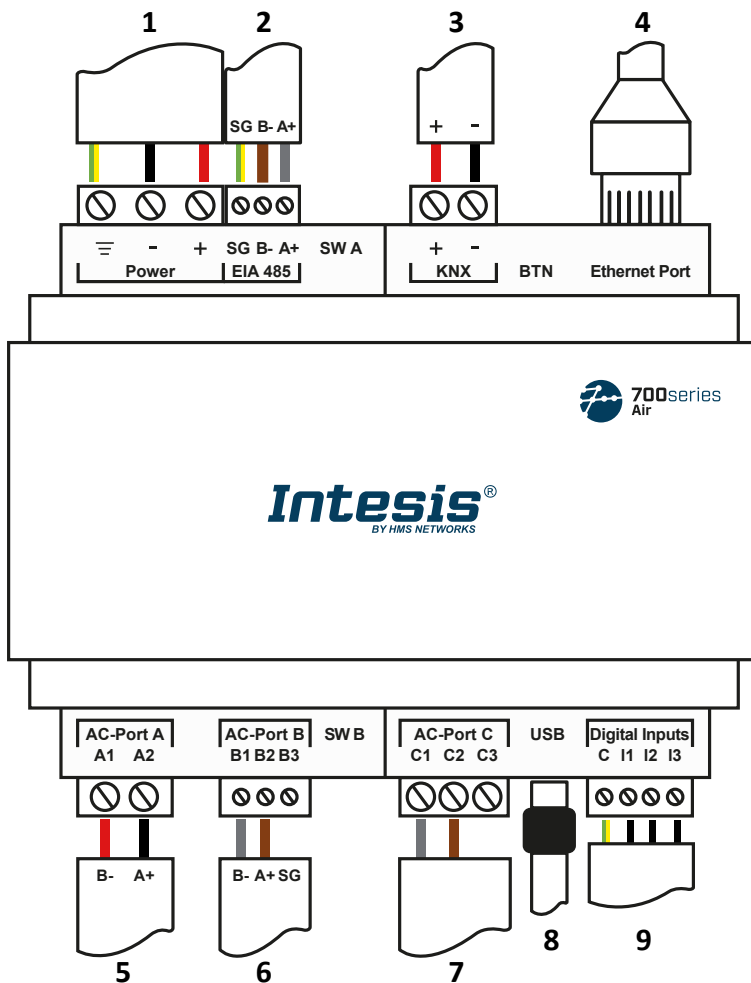
SAMSUNG




[BMS]



Wiring Diagram



- | | |
|------------------------------------|--|
| 1. Power Supply (12-36VDC / 24VAC) | 6. Samsung (R1/R2) |
| 2. BACnet MSTP | 7. Not used |
| 3. Not used | 8. Console |
| 4. BACnet IP & Console | 9. Binary inputs
(dry contact) optional |
| 5. Not used | |

[Application web page](#)

[User manual](#)

[Back](#)

IN-KNX-SA

Samsung to KNX

SAMSUNG

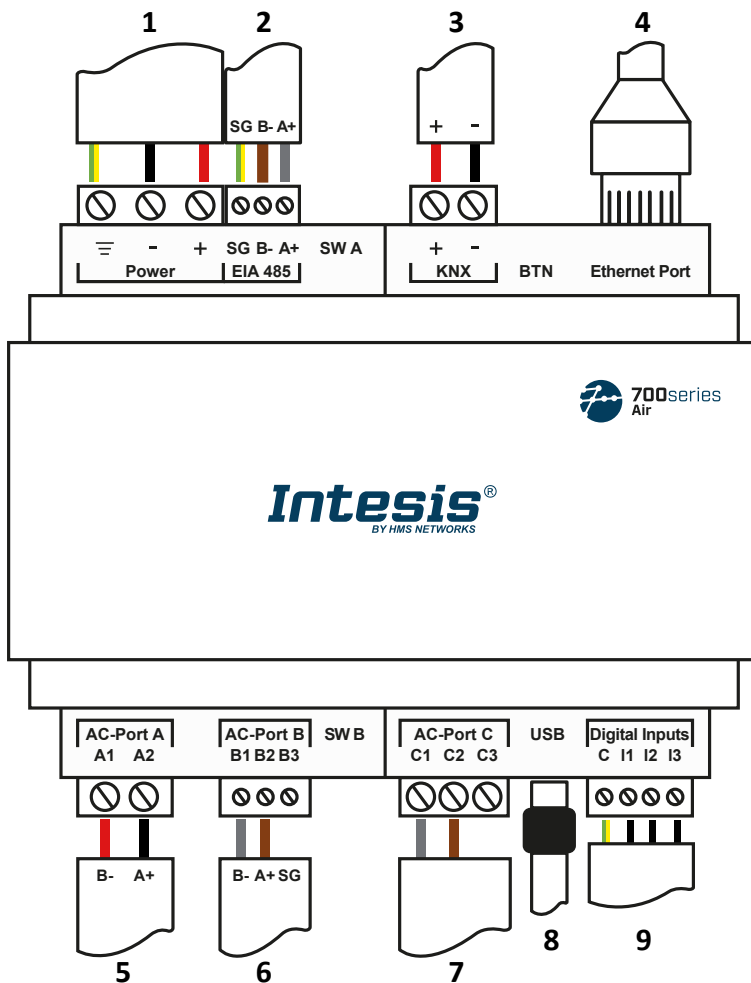


KNX

[BMS]



Wiring Diagram



[Application web page](#)

[User manual](#)

[Back](#)

- | | |
|------------------------------------|---|
| 1. Power Supply (12-36VDC / 24VAC) | 6. Samsung (R1/R2) |
| 2. Not used | 7. Not used |
| 3. KNX | 8. Console |
| 4. Console | 9. Binary inputs (dry contact) optional |
| 5. Not used | |

Samsung to Modbus Server

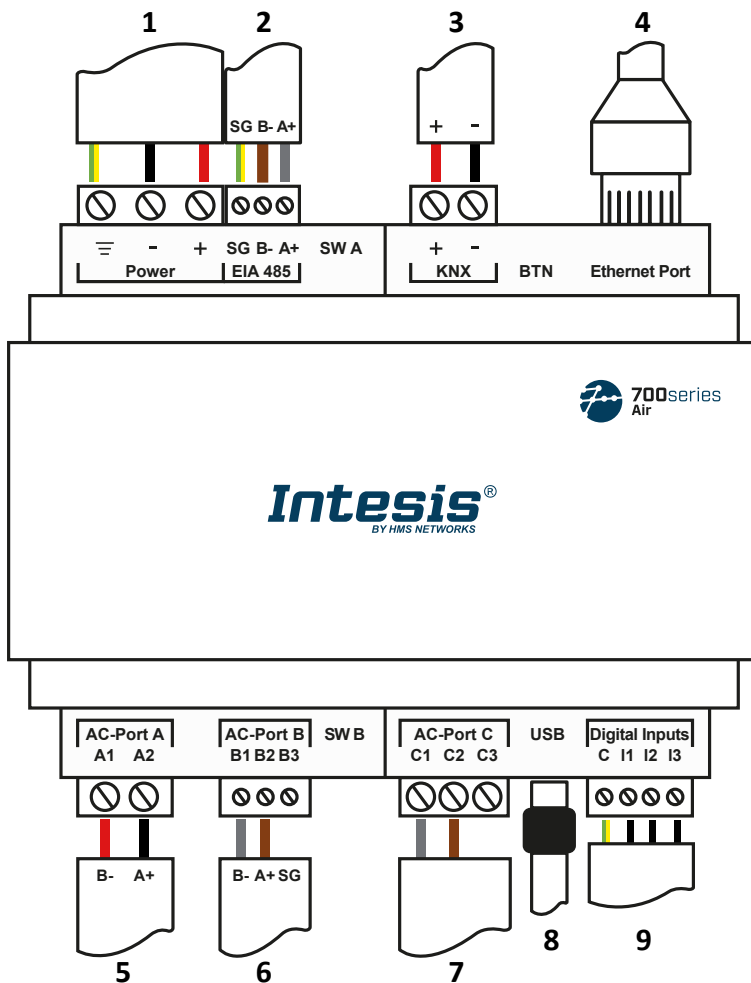
SAMSUNG



[BMS]



Wiring Diagram



[Application web page](#)


[User manual](#)

[Back](#)

- | | |
|------------------------------------|---|
| 1. Power Supply (12-36VDC / 24VAC) | 6. Samsung (R1/R2) |
| 2. Modbus RTU | 7. Not used |
| 3. Not used | 8. Console |
| 4. Modbus TCP & Console | 9. Binary inputs (dry contact) optional |
| 5. Not used | |

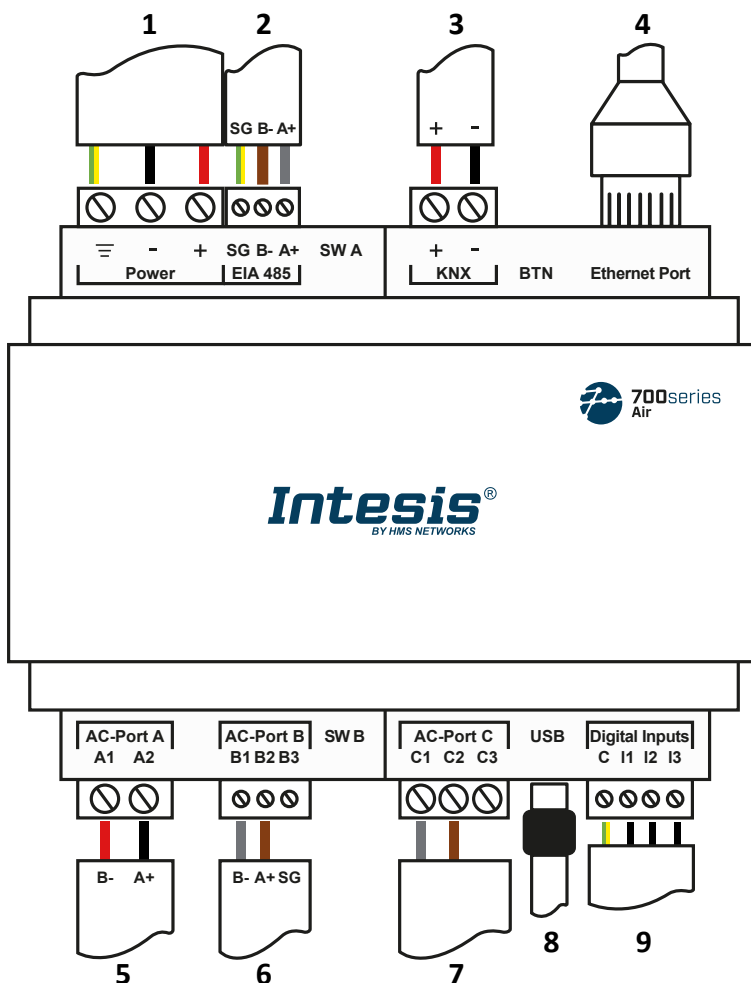
Samsung to Home Automation

SAMSUNG

 Home
Automation
[BMS]



Wiring Diagram



[Application web page](#)

[User manual](#)

[Back](#)

- | | |
|------------------------------------|--|
| 1. Power Supply (12-36VDC / 24VAC) | 6. Samsung (R1/R2) |
| 2. Not used | 7. Not used |
| 3. Not used | 8. Console |
| 4. Home Automation & Console | 9. Binary inputs
(dry contact) optional |
| 5. Not used | |