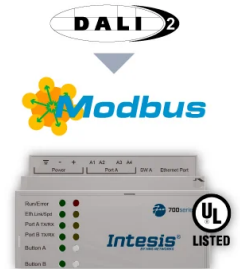


## DALI-2 to Modbus TCP Server Application with 2 DALI channels

Integrate any DALI/DALI-2 driver and DALI-2 light sensor or occupancy sensor with a Modbus BMS or any Modbus TCP controller. The aim of this integration is to make DALI devices and their data and resources accessible from a control system or device based on Modbus, as if it were a part of the Modbus system itself and vice versa.

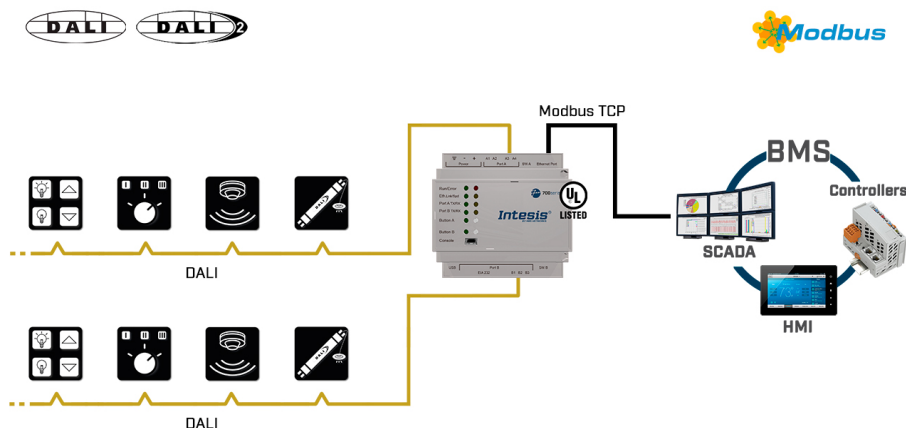


### FEATURES

- UL certified.
- DALI-2 certified.
- Support for Modbus TCP.
- Up to 6 TCP clients (incoming sockets) are supported.
- Support for DALI and DALI-2 drivers and DALI-2 input devices: push buttons, absolute inputs, and occupancy and light sensors.
- RGB and tunable white integration for Human Centric Lighting demand.
- DALI Local Control expanded, adding occupancy and light sensors support to the already supported push buttons and absolute inputs, allowing running each of them as an application controller.
- DALI Data: Implementation of DALI standard for Energy and Diagnostic data.
- Integrated DALI power supply.
- Up to 64 drivers/ballasts + 64 DALI-2 input devices (sensors, push buttons, or absolute inputs).
- Up to 10000 signals available and 230 mA current guaranteed.
- Easy integration and DALI commissioning with Intesis MAPS.
- Configuration through IP or USB (console) port.
- Automatic updates for both Intesis MAPS and gateway's firmware.

### Use Case

#### Integration of DALI-2 drivers and sensors into a Modbus installation



## Description

This bidirectional gateway provides a straightforward and fast integration thanks to its unique onboard features.

The configuration is carried out using the Intesis MAPS software, which allows you to define the settings for the device. Also, you can download all the available project templates and import any created/exported project template from your computer.

## Technical Documentation

Installation Manual	Learn how to install the device in your project	Download
Application Wiring Diagram	Review your specific application wiring diagram	Download
User Manual	General information about this product	Download
DALI-2 Certification	Check the product DALI-2 Certification	Download
Late Configuration Video	Learn how to match your hardware with your application	Watch
EC Declaration of Conformity	Check the product certification	Download
UKCA Certification	Check the product UKCA Certification	Download
CAD Drawings 2D and 3D	Check the CAD Drawings 2D and 3D	Download
Application Note	Check the DALI Local Control for input devices Application Note	Download

## Programming Tools

Intesis MAPS	Get access to download the configuration software tool	Download
Intesis MAPS User Manual	General information about Intesis MAPS for DALI projects	Download
eLearning course	Learn the secrets of Intesis MAPS	Enroll now
eLearning course	Learn How To commissioning your DALI-2 700 Series Gateway	Enroll now

## Commercial Documentation

Intesis Brochure	Know more about the Intesis current available products	Download
------------------	--	----------

File	Version	Size	Read online
------	---------	------	-------------

## ORDER CODES:

IN704DAL1280000	Intesis DALI-2 Protocol Translator with IP support - 2 DALI channels
-----------------	--

→ For the older version, please click here to find the documentation

→ Click here for a smaller gateway's capacity

## INCLUDED COMPONENTS:

- Intesis Gateway.
- Installation Manual.
- USB Configuration cable.

Warranty: 36 months.

---

Copyright © 2020 HMS Industrial Networks - All rights reserved.

Order Number	Description	Intesis MAPS template	Application
IN704DAL1280000	DALI-2 to Modbus TCP or BACnet/IP Server Application with 2 DALI channels	IN-BAC-DALI-128	DALI-2 to BACnet/IP Server Application with 2 DALI channels
		IN-MBS-DALI-128	DALI-2 to Modbus TCP Server Application with 2 DALI channels