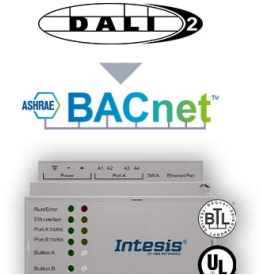




## DALI to BACnet IP & MS/TP Server Gateway

Integrate any DALI/DALI-2 driver and DALI-2 light sensor, or occupancy sensor with a BACnet BMS or any BACnet IP or BACnet MS/TP controller. The aim of this integration is to make DALI devices and its data and resources accessible from a BACnet based control system or device, as if it was a part of the own BACnet system and vice-versa.



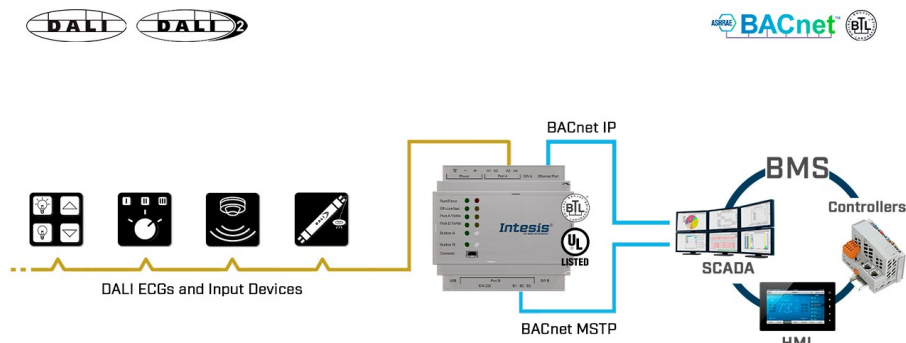
### FEATURES:

- UL Certified
- BTL Certified
- DALI-2 certified
- Support for BACnet IP Client and MSTP Master
- BACnet Advanced features available (Trend logs, Calendars, etc.)
- Support for DALI & DALI-2 drivers and DALI-2 Input devices including: Push buttons, Absolute inputs, Occupancy and Light sensors
- Integrated DALI power supply
- Up to 2 DALI channels
- Up to 64 drivers/ballasts + 64\* DALI-2 input devices (sensors, push buttons or absolute inputs).
- \*See manual for details
- Easy integration & DALI commissioning with Intesis MAPS
- Up to 10000 signals in total and 230 mA current guaranteed

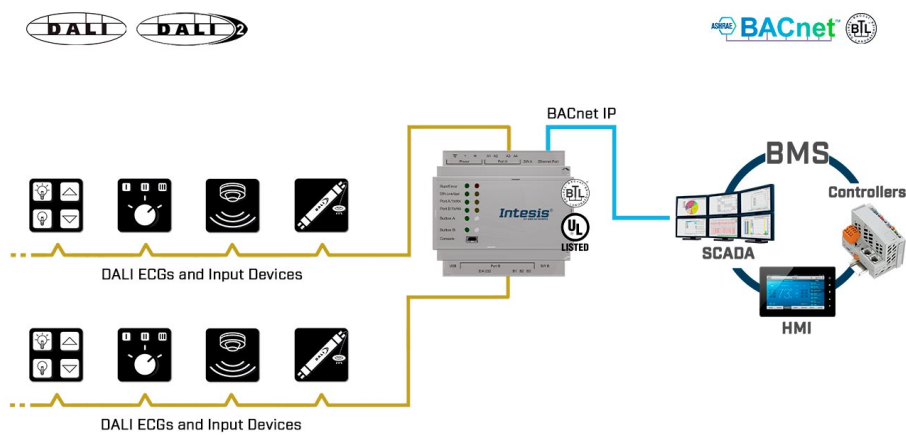
### Use Case

Integration of DALI drivers and sensors into a BACnet installation

VERSION SUPPORTING 1 DALI CHANNEL



VERSION SUPPORTING 2 DALI CHANNELS



**Description**

This bidirectional gateway provides a straightforward and fast integration thanks to its unique onboard features. The BTL mark ensures 100% compatibility and, at the same time, guarantees a seamless integration with any BACnet device. The configuration is carried out using the Intesis MAPS software. This one allows you to define your own settings for the device. Also, it will be able to download all the available project templates or to import any created/exported project template on your computer.

**Technical Documentation**

User Manual	General information about this product	Download
Installation Manual INBACDAL0640200	Learn how to install the device in your project	Download
Installation Manual INBACDAL1280200	Learn how to install the device in your project	Download
Datasheet	Find all the specifications around this product	Download
DALI-2 Certification INBACDAL0640200	Check the product certification	Download
DALI-2 Certification INBACDAL1280200	Check the product certification	Download
BTL Certification	Check the product certification	Download

EC Declaration of Conformity INBACDAL0640200	Check the product certification	Download
EC Declaration of Conformity INBACDAL1280200	Check the product certification	Download
KC Certification	Check the product KC Certification	Download
CAD Drawings 2D and 3D	Check the CAD Drawings 2D and 3D	Download
Application Note	DALI local control and Absolute inputs	Download

→ Click here to ask for a product upgrade and increase the gateway's capacity

### Programming Tools

Intesis MAPS	Get access to download the configuration software tool	Download
Intesis MAPS User Manual for BACnet	General information about Intesis MAPS for BACnet projects	Download
eLearning course	Learn the secrets of Intesis MAPS	Enroll now

### Commercial Documentation

Intesis Brochure	Know more about the Intesis current available products	Download
------------------	--	----------

File	Version	Size	Read online
------	---------	------	-------------

### ORDER CODES:

INBACDAL0640200	DALI to BACnet IP & MS/TP Server Gateway - 1 channel
INBACDAL1280200	DALI to BACnet IP Server Gateway - 2 channels

### INCLUDED COMPONENTS:

Intesis Gateway.  
Installation Manual.  
USB Configuration cable.

Warranty: 36 months.

Copyright © 2020 HMS Industrial Networks - All rights reserved.