

F65EAC-IK32

Full IP65 Box IPC, Intel® Core™ i5-7200U



KEY FEATURES

- Aluminum Profile with Fin, Full IP65 Box IPC
- IP65 Ultra compact size with Fanless Design
- Support M.2 SSD
- One M.2 socket expansion
- 9~36V DC with isolation
- 7th Generation (kaby Lake) Intel® Core™ i5-7200U Processor



SPECIFICATIONS

System Specification			
Processor	Intel Core i5-7200U 2.5GHz (up to 3.1GHz) Intel Core i5-7300U 2.6GHz (up to 3.5GHz) (Optional)	Memory	1 x SO-DIMM, DDR4 2133 MHz, 4GB 8GB (Optional) 16GB (Optional)
Storage	1 x M.2 2242 SSD 128GB M.2 2242 SSD up to 512GB (Optional)	Ethernet controller	2 x Intel® Ethernet Controller
Security	TPM 2.0	Operating System	Windows 10 IoT Enterprise (64 bit) (Optional) Linux Ubuntu 20.04 (Optional)
WLAN	Support (Optional)	BT	Support (Optional)
Mechanical			
Dimension	260.4 x 193 x 50.1 mm(w/o desk mount bracket) 275.4 x 193 x 56.1 mm(w/i desk mount bracket)	Mounting	Desk Mount
Enclosure	Aluminum Housing	Cooling System	Fanless design
Environment			
Operating Humidity	10% to 90% RH, Non-Condensing	Operating Temperature	0°C to 50°C
Storage Temperature	-20°C to 60°C	Shock	15G, 11ms duration
Vibration	5Hz~500Hz / 1Grms / 3 axis	IP rating	IP65
Certification			
Certification	CE, FCC		
IO Ports			
Power Input	1 x M12 waterproof connector for 9~36V DC	USB Port	1 x M12 waterproof connector for 2 x USB2.0 1 x Waterproof USB Type-A Connector with cover
Serial Port	1 x M12 waterproof connector for RS232 2 x M12 waterproof connector for RS232 (Optional)	Video	1x M12 type connector for VGA output 1x M21 type connector for HDMI output (Optional)
Expansion Port	2 x M.2 slot(1 for WiFi, 1 for SSD)	LAN	2 x M12 type connector for Giga LAN
Indicator	1 x LED Indicator for power 1 x LED Indicator for storage 2 x LED Indicator for LAN	DIDO	1x M12 type connector for Digital 4 in/ 4 out (Optional)
Control			
Button	1 x Power Button with LED Indicator		
Accessory			

Accessory

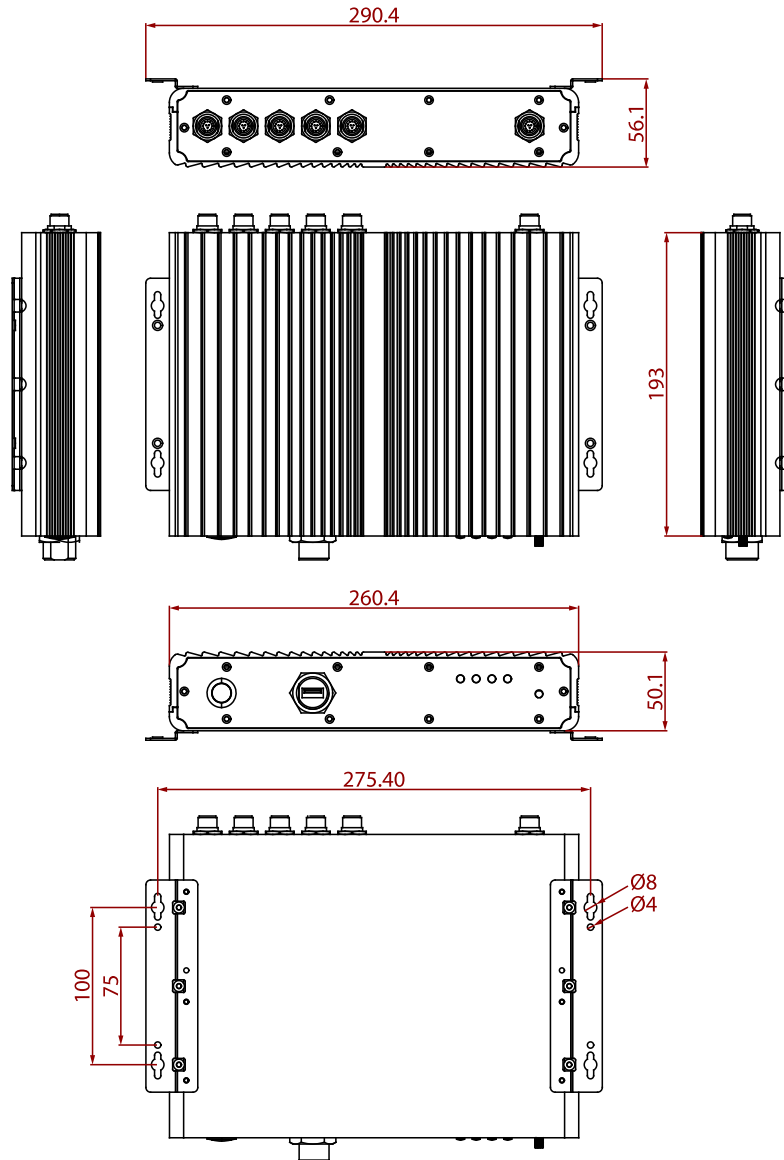
External open wire Power cable with waterproof connector
External USB cable with waterproof connector
External COM cable with waterproof connector
External LAN cable with waterproof connector
External VGA cable with waterproof connector
Waterproof caps
RJ45 female-female converter

Optional Accessory

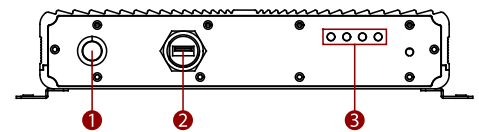
100~240V AC to DC Adapter with waterproof connector (Optional)
Power Cord (Optional)
External HDMI cable with waterproof connector (Optional)
External DIDO cable with waterproof connector (Optional)

DIMENSIONS

UNIT:MM

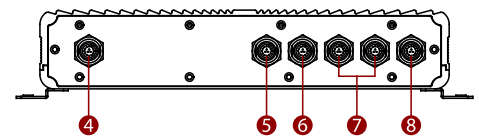


Front side I/O



- 1 Power Switch
- 2 USB Type-A
- 3 LED Indicator

Rear side I/O



- 4 Power Input
- 5 VGA
- 6 USB
- 7 LAN
- 8 COM

NOTE

1. This is a simplified drawing and some components are not marked in detail.
2. Please contact our sales representative if you need further product information.
3. A customized housing is required if you need additional I/O connectors.
4. To connect Winmate stainless series Panel PC or Display it is required to use an optional two sides waterproof connector.
5. All specifications are subject to change without prior notice.
6. The product shown in this datasheet is a standard model. For diagrams that contain customized or optional I/O, please contact the Winmate Sales Team for more information.