

# R15IB3S-65EX

## 15" Intel® Celeron® N2930 ATEX Panel PCs



### KEY FEATURES

- 15" 1024 x 768, PCAP touchscreen, ATEX Panel PCs
- Class 1, Division 2 & ATEX Zone 2 & IECEx Zone 2 device certified for hazardous area application
- Stand-alone solution for use in Ex Zone 2 hazardous areas
- Intel® Celeron® Processor N2930
- Fanless design with streamlined enclosure for highly efficient heat dissipation
- Wide operating temperature -20°C to 50°C



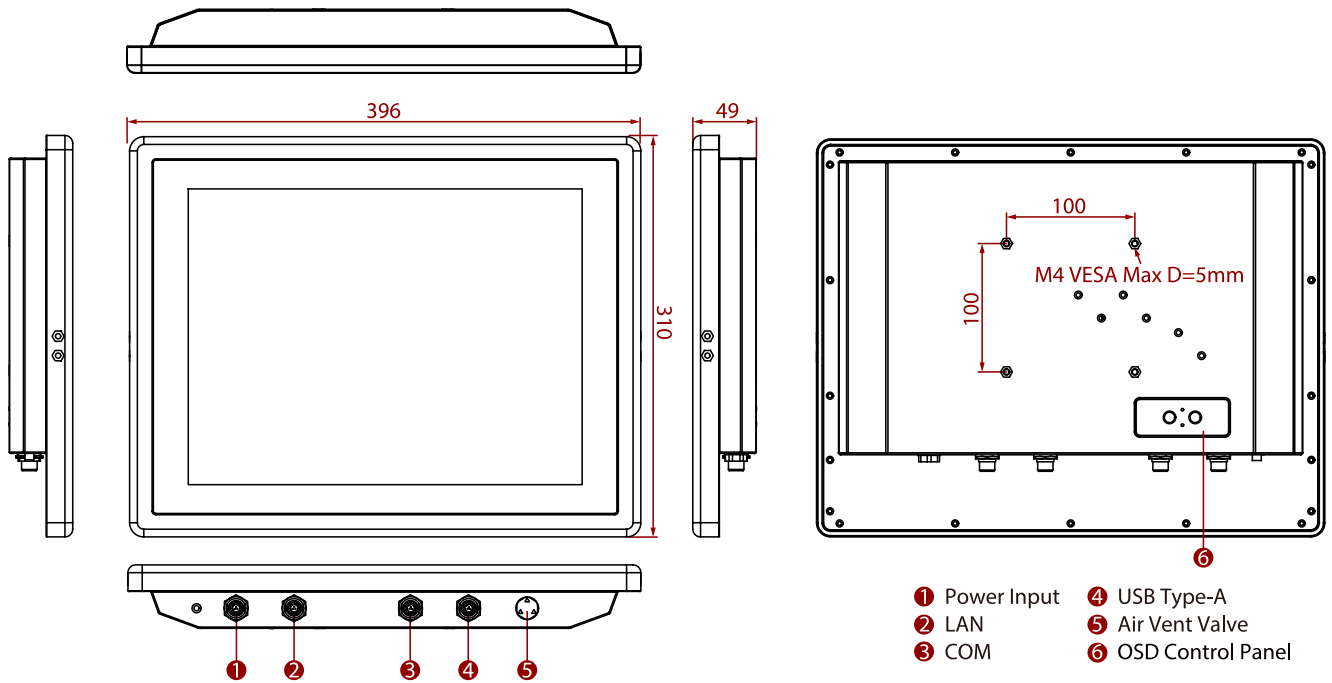
### SPECIFICATIONS

System Specification			
<b>Processor</b>	Intel Celeron N2930 1.83GHz (up to 2.16GHz)	<b>Memory</b>	1 x SO-DIMM, DDR3L 1600 MHz, 4GB 8GB (Optional)
<b>Storage</b>	1 x mSATA SSD 128GB. mSATA SSD up to 512GB. (Optional)	<b>Ethernet controller</b>	2 x Intel® Ethernet Controller
<b>Operating System</b>	Windows 10 IoT Enterprise (64 bit) (Optional) Linux Ubuntu 20.04 (Optional)		
Display			
<b>Touch / Glass</b>	Projected Capacitive Multi Touch Screen Bonding With Panel	<b>Resolution</b>	1024x768
<b>Size</b>	15 inches	<b>Contrast Ratio</b>	2000:1
<b>Panel Brightness</b>	550 nits 1000 nits(Optional)	<b>View Angles</b>	88,88,88,88
<b>Active Area</b>	304.1x228.1 mm		
Mechanical			
<b>Dimension</b>	396 x 310 x 49 mm	<b>Mounting</b>	VESA Mount
<b>Enclosure</b>	Stainless Housing	<b>Cooling System</b>	Fanless design
Environment			
<b>Operating Humidity</b>	10% to 95% RH, Non-Condensing	<b>Operating Temperature</b>	-20°C to 50°C
<b>Storage Temperature</b>	-20°C to 50°C	<b>Shock</b>	MIL-STD-810G Method 516.6 Procedure I (Optional)
<b>Vibration</b>	MIL-STD-810G Method 514.6 Procedure I	<b>IP rating</b>	IP65
<b>Drop</b>	MIL-STD-810G Method 516.6 Procedure IV		
Certification			
<b>Certification</b>	CE, FCC IECEx Zone 2 Certification (applied for) nA IIC T4 Gc -20 °C ≤ Ta ≤ +50 °C ATEX Zone 2 Certification (applied for) II 3 G Ex nA IIC T4 Gc -20 °C ≤ Ta ≤ +50 °C UL Listing Certification (applied for) Class I, Division 2, Groups A, B, C, and D		
IO Ports			
<b>Power Input</b>	1 x 9~36V DC, M12 Type connector	<b>USB Port</b>	1x M12 type connector for 2 x USB2.0

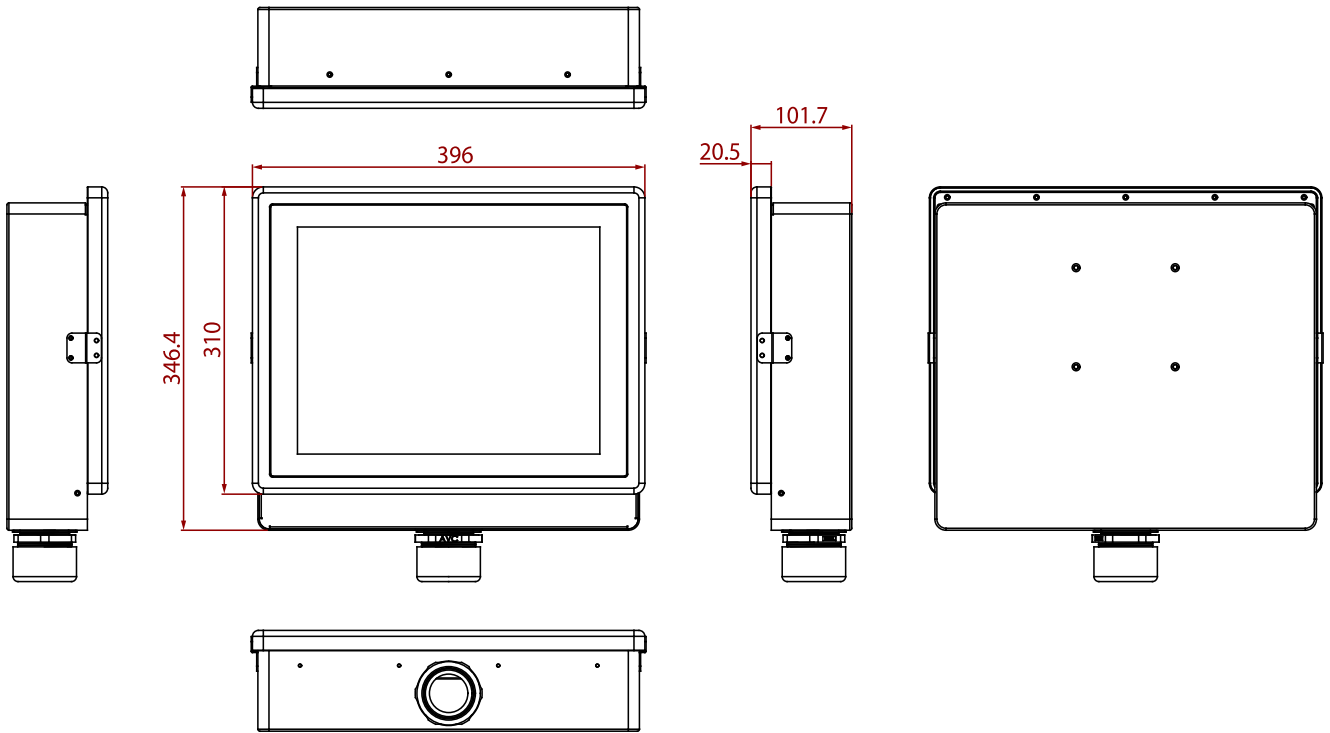
<b>Serial Port</b>	1 x M12 connector for RS232/422/485 (Default RS232)	<b>LAN</b>	1 x M12 type connector for Giga LAN
<b>Indicator</b>	1 x LED Indicator for power 1 x LED Indicator for storage		
<b>Control</b>			
<b>Button</b>	1 x Power Button 1 x Reset Button		
<b>Accessory</b>			
<b>Accessory</b>	100~240V AC to DC Power Adapter with M12 Connector Power Cord M12 Type Power Cable M12 Type RS232 Male Cable M12 Type USB Female Cable M12 Type LAN Cable RJ45 female-female converter USB Adapter (USB type A to type B) VESA screws		

## DIMENSIONS UNIT:MM

w/o Box Cover



## With Box Cover



## NOTE

1. Total usable memory will be less dependent upon actual system configuration.
2. Length measurements do not include protrusions. Weight varies with options.
3. Measured at maximum backlight and high CPU load.
4. Accessories and Integrated Options may vary depending on your configuration.
5. The product shown in this datasheet is a standard model. For diagrams that contain customized or optional I/O, please contact the Winmate Sales Team for more information.