

# W24L100-PMA2

## 23.8" Panel Mount Display



### KEY FEATURES

- 23.8", 1920 x 1080 Panel Mount Display
- VGA and HDMI input
- Panel mount
- VESA mount



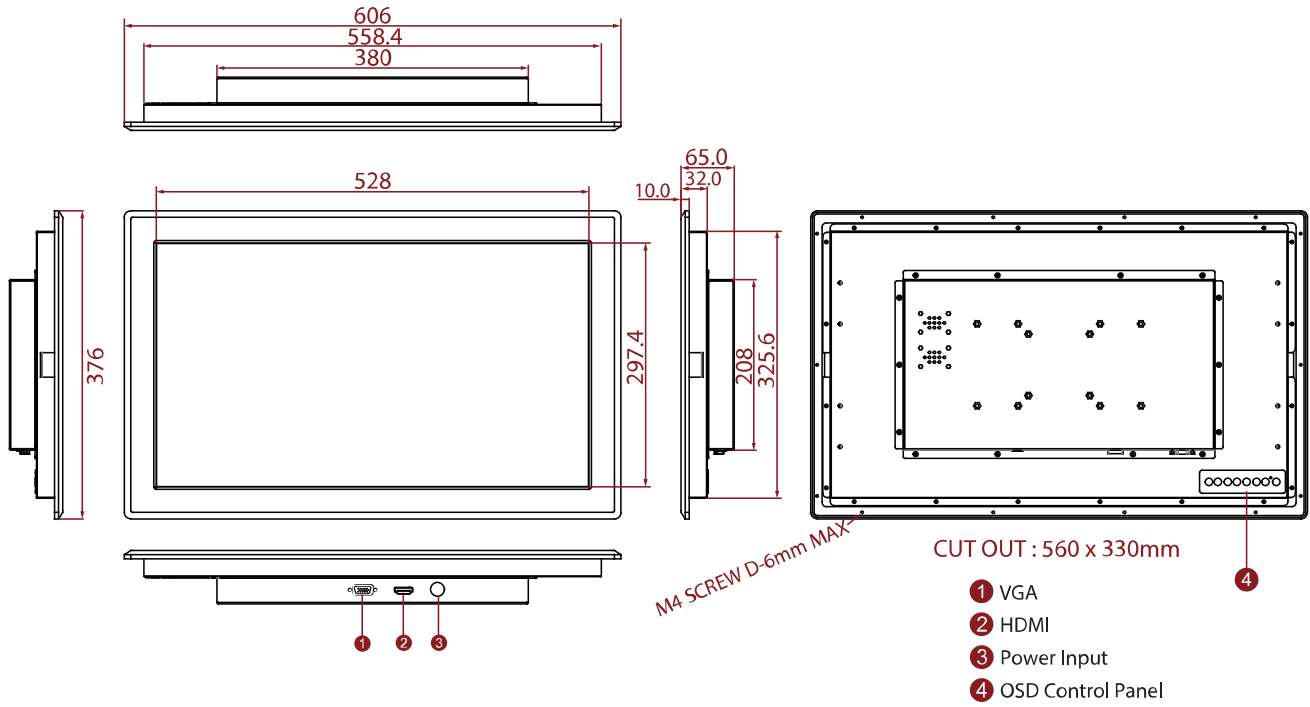
### SPECIFICATIONS

Display	
<b>Resolution</b>	1920x1080
<b>Contrast Ratio</b>	3000:1
<b>Display Color</b>	16.7M Colors
<b>Active Area</b>	527.04x296.46 mm
<b>Size</b>	23.8 inches
<b>Panel Brightness</b>	250 nits
<b>View Angles</b>	89,89,89,89
<b>Touch / Glass</b>	Resistive Touch Screen Protection Glass w/o Touch Function (Optional) SAW Touch (Surface Acoustic Wave) (Optional)
Environment	
<b>Operating Humidity</b>	10% to 90% (non-condensing)
<b>Storage Temperature</b>	-10~60°C
<b>Operating Temperature</b>	0~50°C
Certification	
<b>Certification</b>	CE, FCC
IO Ports	
<b>USB Port</b>	1 x USB for Touch Screen
<b>Audio</b>	Audio line in (3.5mm) (Optional) 2 x Speaker (Optional)
<b>Video</b>	1 x VGA 1 x HDMI (Optional) 1 x DVI (Optional)
Mechanical	
<b>Dimension</b>	606 x 376 x 65 mm
<b>Enclosure</b>	Metal Housing with Aluminum Bezel
<b>Cut out</b>	560 x 330mm
<b>Mounting</b>	VESA Mount/ Panel Mount
<b>Cooling System</b>	Fanless Design
Accessory	
<b>Accessory</b>	1 x VGA cable 1 x HDMI cable 100~240V AC to DC Adapter Power Cord Manual VESA screws(Varies by product)
<b>Optional Accessory</b>	Remote Controller (Optional,Varies by product)
Power	
<b>Power Rating</b>	12V DC input

**Control**

**Button** 5 Keys: -, +, Power, Esc, Enter

**DIMENSIONS** UNIT:MM



**NOTE**

- 1. This is a simplified drawing and some components are not marked in detail.
- 2. Please contact our sales representative if you need further product information.
- 3. All specifications are subject to change without prior notice.
- 4. The product shown in this datasheet is a standard model. For diagrams that contain customized or optional I/O, please contact the Winmate Sales Team for more information.