



Features

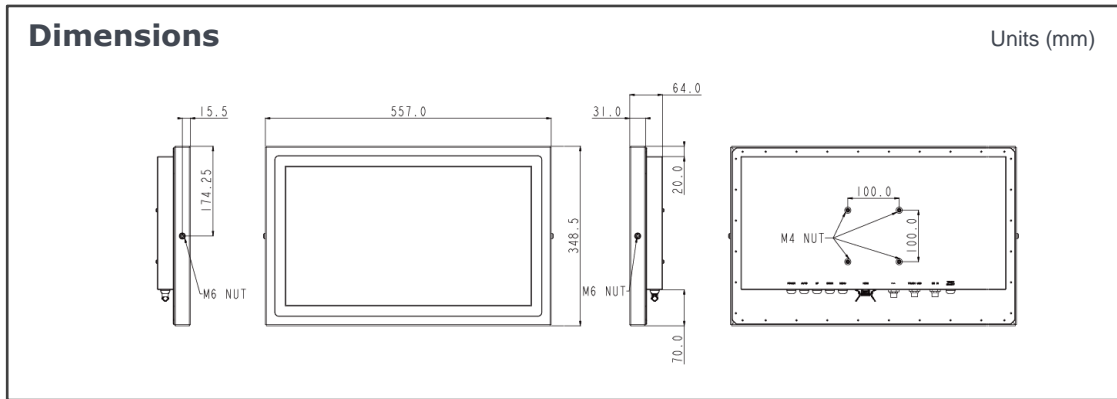
- True Flat Front Bezel and Grade 304
- Stainless Steel Enclosure (Grade 316 for Option).
- IP69K/IP67 M12 Stainless Connectors.
- Touch on/off on Bottom Side for Hygienic Cleaning.
- 100% Water/ Dust Proof Guarantee
- Downward I/O for Easy Installation and Space Saving
- EMC Class B Applicable

Specification

Product		WTD-22
Display	Size	21.5" 16:9
	Resolution (pixel)	1920 x 1080 (Full HD)
	Number of Colors	16.7M colors
	View Angle (H/V)	170(H) / 160(H)
	Brightness(cd/m ² , nit)	250 nits
	Contrast Ratio	1000:1 (Typ)
Touch Panel	Type	Full flat resistive touch panel
	Light Transmission	80 ± 5%
	Lifetime	35M times
I/O Ports	USB	1 x M12 8pin for touch screen
	Audio	1 x VGA input
	Video	1 x HDMI 1.4a (input)
	Control Keys	Menu: OSD on and enter Down: move down for selecting Up: move up for selecting Auto: OSD off, and source change Touch Screen: on/off
Power	Power input	DC 12V
	Power adapter	AC input 90 ~ 264V / 47 ~ 63 Hz / DC output 12V, IP67, 60W/5A
Environmental	Temperature	Operating Temperature 0~50°C Storage Temperature -30~70°C
	Humidity	Operating & Storage: 10 ~ 90%, non-condensing
	Water/Dust resistance	IP66 / NEMA4X IP69K / NEMA6 (Options for IP67)
Mechanical Characteristics	Housing	SUS304 stainless steel enclosure, chassis type
	Dimensions (Net: mm)	557 x 348.5 x 64
	Weights (Net: kg)	11kg
	Mounting	VESA 100*100, Side Mount (M6 x 2)
Certification	FCC/ CE (EMC)/ VCCI Class B (VGA port) ; Class A (HDMI port), Canada ICES-003	

WTD-22

Stainless Monitor



Major Options

Options	<ol style="list-style-type: none"> 1. SUS316 enclosure 2. IP 67 Whole System Solutions 3. Full flat PCT touch screen 4. DP to HDMI converter (for connecting WPC-766)
Customization	<ol style="list-style-type: none"> 1. Sunlight readable optical bonding 2. 1000 nits high brightness LCD 3. HDMI connection between WTP panel PC as 2nd display

Order Information

Item	Touch	Description
WTD-22	W/5-wire RES Touch	22" Full Flat Resis. Touch IP69K Chassis Stainless Steel Display

